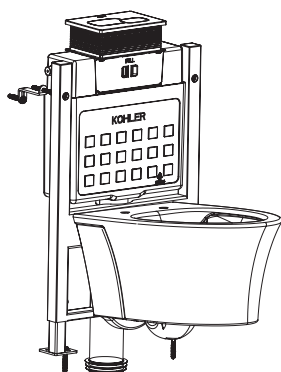
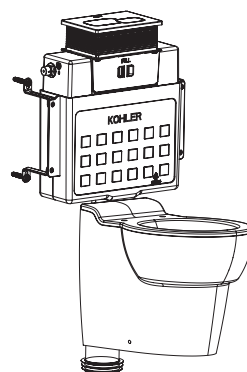


Installation Guide 安装说明

HYDRO-TOWER 201 In-Wall Tank 海德丽 201 入墙式隐藏水箱



In-Wall Tank With Frame
入墙式隐藏水箱（含固定支架）座便器



In-Wall Tank Without Frame
入墙式隐藏水箱（不含固定支架）座便器

KOHLER CHINA INVESTMENT CO., LTD NO.158, JIANG CHANG SAN ROAD,
JING'AN DISTRICT, SHANGHAI, PRC POST CODE: 200436
科勒（中国）投资有限公司 上海市静安区江场三路 158 号 邮编：200436

CATALOGUE

THANK-YOU FOR CHOOSING KOHLER COMPANY	3
BEFORE YOU BEGIN	3
SPECIFICATIONS	6
RECOMMENDED TOOLS AND MATERIALS	6
ROUGHING-IN	7
INSTALLATION	8
INSTALLATION METHODS	8
First method: Installation for In-Wall Tank with frame.....	8
1A. Installation of In-Wall Tank	8
1B. Discharge pipe installation method.....	11
1C. Connecting the water pipe.....	12
1D. Installations of reserved access panel.....	12
1E. Building of the wall.....	15
1F. Installation of wall-hung toilet.....	16
1G. Installation of faceplate.....	18
1H. After installation, the water supply and electricity can be connected and used.....	20
Second method: Installation for In-Wall Tank without frame.....	21
2A. Installation of In-Wall Tank	21
2B. Discharge pipe installation method.....	23
2C. Following the steps: 1C. Connecting the water pipe	23
2D. Following the steps: 1D. Installation of reserved access panel	23
2E. Building of the wall.....	24
2F. Installation of wall-faced toilet	25
2G. Following the steps: 1G. Installation of faceplate	26
2H. After installation, the water supply and electricity can be connected and used.....	26
REMOVAL AND MAINTENANCE	27
A. Removal.....	27
B. Maintenance	30
TROUBLE SHOOTING PROCEDURES.....	31

目录

感谢您选择科勒公司	3
安装之前	3
规格	6
所需工具及材料	6
尺寸图	7
安装	8
安装方式	8
安装方式一：入墙式隐藏水箱（含固定支架）座便器安装.....	8
1A. 隐藏水箱安装.....	8
1B. 排污管安装方法	11
1C. 供水管连接	12
1D. 预留检修口安装.....	12
1E. 砌墙.....	15
1F. 挂墙座便器安装.....	16
1G. 面板安装	18
1H. 安装完毕，可以通水或者通电使用	20
安装方式二：无框架入墙式隐藏水箱座便器安装.....	21
2A. 隐藏水箱安装.....	21
2B. 排污管安装方法	23
2C. 按照步骤：1C. 供水管连接.....	23
2D. 按照步骤：1D. 预留检修口安装.....	23
2E. 砌墙.....	24
2F. 落地座便器安装.....	25
2G. 按照步骤：1G. 面板安装.....	26
2H. 安装完毕，可以通水或者通电使用	26
拆卸与维护.....	27
A. 拆卸.....	27
B. 维护	30
故障排除	31

THANK-YOU FOR CHOOSING KOHLER COMPANY

谢谢您选择科勒公司

- Thank you for choosing Kohler. Kohler craftsmanship offers you a rare combination of proven performance and graceful sophistication that will satisfy you for years to come. The dependability and beauty of your Kohler product will surpass your highest expectations. We're very proud of our products here at Kohler and we know you will be too.
- Please study this Installation Guide carefully.
- 谢谢您选择科勒。科勒技术提供了可靠性能和优雅生活的结合，满足了您未来几年的需求。科勒产品的美观和可靠性将满足您最挑剔的眼光。我们为我们科勒的产品感到非常地自豪，相信您也会。
- 请仔细阅读一下这本安装手册。

BEFORE YOU BEGIN

安装之前

- Read the Installation Guide in illustration and word file carefully, and install the tank according to instructions in the guide to avoid product damage and installation inconvenience caused by inappropriate operation.
- All data contained is based upon the last product information available at the time of publication. Kohler Company reserves the right to implement changes of product characteristics, packaging and availability at any time without further notice.
- The manual includes important information on care, cleaning and servicing. - **please carefully save this manual.**
- We appreciate your commitment to Kohler quality. Please take a few minutes to review this manual before you start installation. If you encounter any installation or performance problems, please don't hesitate to contact us. Thanks again for choosing Kohler Company.
- Before installation, please make sure there is sufficient space for the equipment and for the door to open and close.
- When installing the product in the room, a stop valve shall be installed in close proximity. For emergency circumstances, it must be possible to close the water inlet valve without using any tools; otherwise unexpected failure may cause losses to the customer.
- Do not apply erosive cleansers or solvents in the tank, which will damage the tank components and result in leakage in the tank. Kohler will not be responsible for any damage related to above mentioned cleansers or solvents. Mild detergent can be used.
- Do not apply components that are not provided by Kohler, and please note that glass adhesive tape shall not be applied to the installation of Kohler spares. Kohler will not be responsible for any damage related to installation with spares not provided by Kohler.
- Please install the tank frame on a solid wall thicker than 100mm.
- During building the wall in front of the tank, please take protective measures and don't squeeze the tank body directly with concrete, brick or other hard materials.
- This product should be well protected to prevent dust, mud and other debris from entering the water tank, which may otherwise impact its function.
- Please straighten out the air hose and remove excess length of the hose.
- For K-25440A-PNE-NA & K-25443A-PNE-NA, installation shall be in accordance with AS/NZS3500.1, AS/NZS3500.2 and the Plumbing Code of Australia.
- In order to install K-31881T faceplate, do not install the mask that comes with the tank. And you can purchase separately 1586949 mask assembly (no need to purchase for pinch installation). Refer to Installation Guide of K-31881T faceplate for detailed installation methods.
- 请仔细阅读图示说明及文字安装说明，按照说明书的步骤安装，以避免产品损坏或不良操作导致安装不便。
- 所有的资料是按出版时的最新产品资料编写的，本公司保留在任何时候不需通知便可更改产品的特征、包装或供应产品的权利。
- 本指引也包含了有关护理、清洁及保养等重要资料 - **请交予用户保存。**
- 我们感谢您对科勒质量的信任。在您开始安装之前，请您花上几分钟时间来阅读这本手册。如果您在安装或性能方面遇到任何问题，务必请您与我们联系。再次感谢您选择科勒公司。
- 安装前，请确保座便器安装所需要的空间，并不会影响到门的开关。
- 在安装本产品的同一房间中，需要在触手可及的位置安装一个止水阀，用于紧急情况下，无需借助工具即可切断本产品的进水路；否则本产品的意外故障可能会导致用户损失。
- 请不要在水箱内使用具有腐蚀性的非中性清洁剂或溶剂，否则会严重地损坏水箱配件，导致漏水。因使用上述清洁剂或溶剂而使水箱不能正常使用或出现其它连带性的损坏，本公司恕不负责。但中性清洁剂可以使用。
- 请不要采用非本公司提供的零件，如玻璃胶等不能用于本公司配件的安装。因使用非本公司提供的零件安装而本公司产品导致的损坏，本公司恕不负责。
- 本产品须固定在实心承重墙上，墙的厚度应不小于 100mm。
- 在水箱前方用水泥构筑假墙时，须在水箱与水泥之间做好相关保护措施，以免损坏箱体。
- 本产品做好保护，防止尘土、泥沙及其他杂物进入水箱，影响产品功能。
- 本产品气管请理顺并减掉多余的气管。
- 对于 K-25440A-PNE-NA & K-25443A-PNE-NA，安装应遵从 AS/NZS3500.1, AS/NZS3500.2 及澳大利亚水管工程标准。
- 如需安装 K-31881T 面板，请勿安装水箱自带方外罩，可另购 1586949 方外罩组件（扣板安装不需购买），详细安装方法参见 K-31881T 面板说明书。

Product Information

HT201 PNE IWT W/F 3.0/4.5L, 3.5/5.0L	K-25440T*
HT201 PNE IWT W/F 2.6/4.0L (R)	K-25439R-PNE
HT201 PNE IWT W/F 3.0/4.5L (H)	K-25440H-PNE
HT201 PNE IWT W/F 3.0/4.5L (K).....	K-25440K-PNE
HT201 PNE IWT W/F 3.0/4.5L (A).....	K-25440A-PNE
HT201 PNE IWT W/F 3.0/5.0L (MY).....	K-32617MY-PNE
HT201 PNE IWT W/F 3.0/6.0L (TW)	K-25441TW-PNE
HT201 PNE IWT W/O F 3.0/4.5L, 3.5/5.0L.....	K-25443T*
HT201 PNE IWT W/O F 2.6/4.0L (R).....	K-25442R-PNE
HT201 PNE IWT W/O F 3.0/4.5L (H).....	K-25443H-PNE
HT201 PNE IWT W/O F 3.0/4.5L (K).....	K-25443K-PNE
HT201 PNE IWT W/O F 3.0/4.5L (A).....	K-25443A-PNE
HT201 PNE IWT W/O F 3.0/5.0L (MY).....	K-32618MY-PNE
HT201 PNE IWT W/O F 3.0/6.0L (TW).....	K-25444TW-PNE

Note: -* is the code for wall-hung or wall-faced toilet series that in-wall tank can match with, which may represent VL, RE, VAW, DNW.

VLL indicates that the VL series toilet is equipped with a long leg water tank, and so on.

产品信息

海德丽 201 气动入墙式隐藏水箱, 3.0/4.5 升, 3.5/5.0 升	K-25440T*
海德丽 201 气动入墙式隐藏水箱, 2.6/4.0 升 (R).....	K-25439R-PNE
海德丽 201 气动入墙式隐藏水箱, 3.0/4.5 升 (H).....	K-25440H-PNE
海德丽 201 气动入墙式隐藏水箱, 3.0/4.5 升 (K).....	K-25440K-PNE
海德丽 201 气动入墙式隐藏水箱, 3.0/4.5 升 (A).....	K-25440A-PNE
海德丽 201 气动入墙式隐藏水箱, 3.0/5.0 升 (MY).....	K-32617MY-PNE
海德丽 201 气动入墙式隐藏水箱, 3.0/6.0 升 (TW).....	K-25441TW-PNE
海德丽 201 气动无框架入墙式隐藏水箱, 3.0/4.5 升, 3.0/5.0 升.....	K-25443T*
海德丽 201 气动无框架入墙式隐藏水箱, 2.6/4.0 升 (R).....	K-25442R-PNE
海德丽 201 气动无框架入墙式隐藏水箱, 3.0/4.5 升 (H).....	K-25443H-PNE
海德丽 201 气动无框架入墙式隐藏水箱, 3.0/4.5 升 (K).....	K-25443K-PNE
海德丽 201 气动无框架入墙式隐藏水箱, 3.0/4.5 升 (A).....	K-25443A-PNE
海德丽 201 气动无框架入墙式隐藏水箱, 3.0/5.0 升 (MY).....	K-32618MY-PNE
海德丽 201 气动无框架入墙式隐藏水箱, 3.0/6.0 升 (TW).....	K-25444TW-PNE

注: -* 为入墙水箱可匹配的挂墙马桶或落地马桶产品系列代码, 有 VL、RE、VAW、DNW 等系列。

VLL 表示 VL 系列马桶配备了长支脚水箱, 以此类推。

Function explanation

- Anti-backflow
- Adjustment of inlet water level
- Adjustment of flushing volume
- Single/double gear flushing
- Assemble, disassemble and maintenance can be done without tools.

功能说明

- 防倒流功能
- 进水水位可调节功能
- 排水水量可调节功能
- 双档冲水功能
- 无需工具用手即可实现拆装维修。

Design and installation concept of In-Wall Tank

- Installation of In-Wall Tank is much easier and esthetically looking comparative to that of traditional tanks. Meanwhile, the space layout will be more reasonable due to the application of In-Wall Tank pipes and connectors.
- The most remarkable advantage of In-Wall Tank is that the installation will never be limited to certain areas, and the tank can be installed wherever as you wish, which will make the bathroom layout more reasonable and nice-looking, and make good use of every inch of the bathroom space.

隐藏水箱设计安装概念

- 隐藏水箱提供了简单快捷的安装方式，与传统的安装方式相比更完善、更美观。同时由于使用了隐藏的管路布置，使空间布局更为合理。
- 使用隐藏水箱的显著优点是不再限于某一固定的地方安装，可以灵活地设置，从而可以使整个浴室布局更为合理、更为美观，充分利用每一寸可用空间。

Advantages of this In-Wall Tank

- Made of macromolecular materials that prevent corrosion and leaking.
- Advanced water tank fittings, which makes possible the adjustment of the water discharge and double gear flushing.
- Will not affect the structure of the wall and provide excellent sound insulation.
- Easy installation and time efficient.
- Do not need to prepare any other spare parts.
- Easy maintenance and servicing.
- Clean, waste-free, and space-saving.

隐藏水箱的优点

- 抗冲击，耐腐蚀的高分子材质水箱，杜绝漏水的可能性。
- 先进的水箱配件，可以调节排水量，以及具有双档冲水的技术功能。
- 不影响墙体结构，出色的隔音效果。
- 安装简便、快捷，省时省力。
- 无需准备其它的安装配件。
- 维护简易，无需改动墙体。
- 卫生清洁，无垃圾陈积，节省空间。

SPECIFICATIONS

规格

Liters per flushing 冲洗水量	K-25441TW-PNE K-25444TW-PNE	Full flushing volume: 6.0L Half flushing volume: 3.0L 大档水量: 6.0L 小档水量: 3.0L
	K-25440T-* K-25443T-*	Full flushing volume: 5.0L Half flushing volume: 3.5L 大档水量: 5.0L 小档水量: 3.5L
	K-32617MY-PNE K-32618MY-PNE	Full flushing volume: 5.0L Half flushing volume: 3.0L 大档水量: 5.0L 小档水量: 3.0L
	K-25440T-* K-25440H-PNE K-25440K-PNE K-25440A-PNE K-25443T-* K-25443H-PNE K-25443K-PNE K-25443A-PNE	Full flushing volume: 4.5L Half flushing volume: 3.0L 大档水量: 4.5L 小档水量: 3.0L
	K-25439R-PNE K-25442R-PNE	Full flushing volume: 4.0L Half flushing volume: 2.6L 大档水量: 4.0L 小档水量: 2.6L
Water Supply 供水条件	Min water supply: 0.02MPa (dynamic pressure) Max water supply: 0.74MPa (static pressure) 最低供水条件: 0.02MPa (动压) 最高供水条件: 0.74MPa (静压)	
Temperature 使用温度	Environmental temperature: 1°C ~55°C, Water temperature: 1°C ~45°C 环境温度: 1°C ~55°C, 水温: 1°C ~45°C	
When the difference between air temperature and water temperature is large, it is recommended to apply waterproof treatment around the water tank and the bottom wall. 环境温度和水温相差较大时, 建议水箱周围及底部墙体做防水处理。		

Note: -* is the code for wall-hung or wall-faced toilet series that in-wall tank can match with, which may represent VL, RE, VAW, DNW.

VLL indicates that the VL series toilet is equipped with a long leg water tank, and so on.

注: -* 为入墙水箱可匹配的挂墙马桶或落地马桶产品系列代码, 有 VL、RE、VAW、DNW 等系列。

VLL 表示 VL 系列马桶配备了长支脚水箱, 以此类推。

RECOMMENDED TOOLS AND MATERIALS

所需工具及材料

- | | | | |
|--------------------------------|-------------------|-------------|---------|
| • Open end/adjustable wrenches | • Spirit level | • 开口 / 活动扳手 | • 水平尺 |
| • Hex-head wrench | • Screw driver | • 六角匙 | • 十字螺丝刀 |
| • Knife | • Insulation tape | • 美工刀 | • 绝缘胶布 |
| • File | • Tape measure | • 锉刀 | • 卷尺 |
| • Hacksaw | • Seal tape | • 钢锯 | • 生料带 |
| • Churn drilling | • Bushing | • 冲击钻 | • 电工套管 |
| | • Lubricant | | • 润滑油 |

ROUGHING-IN

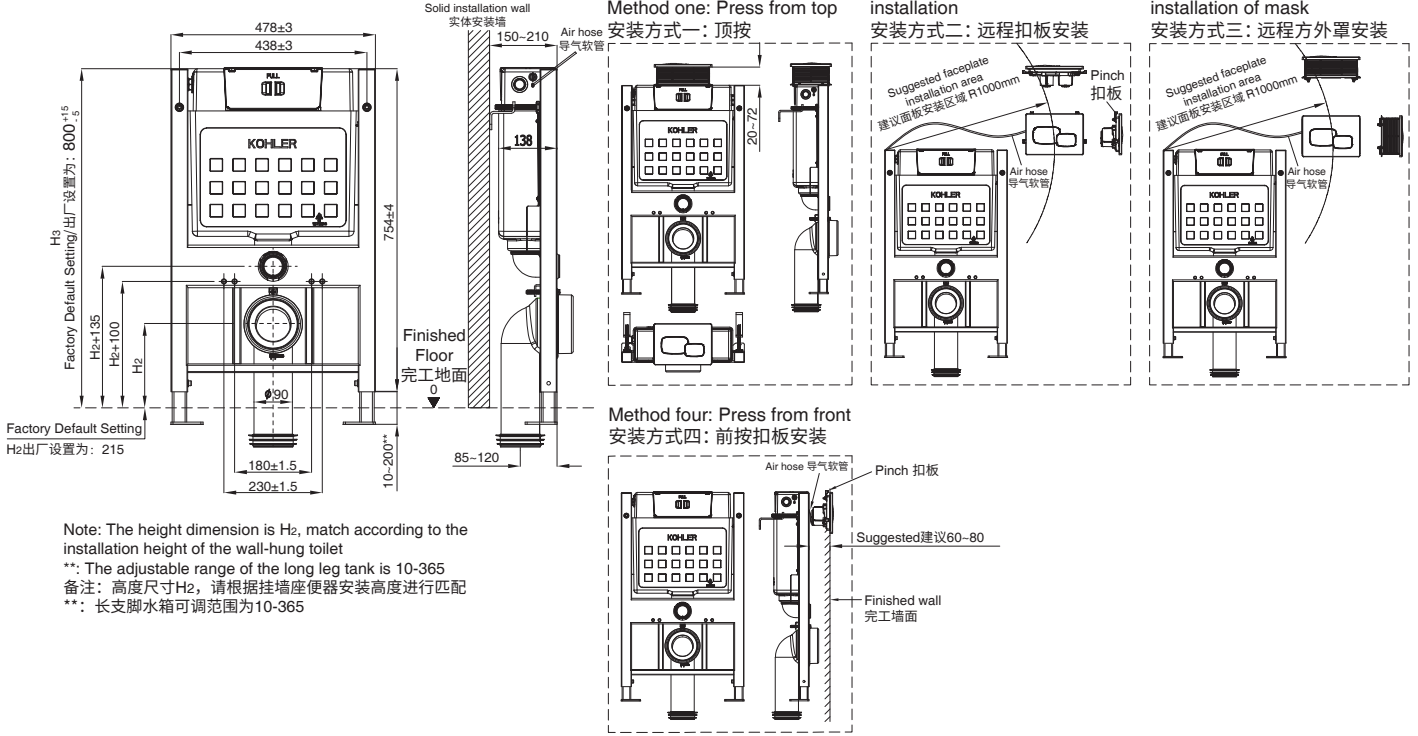
尺寸图

Reference Value
参考值

UNIT: mm
单位: 毫米

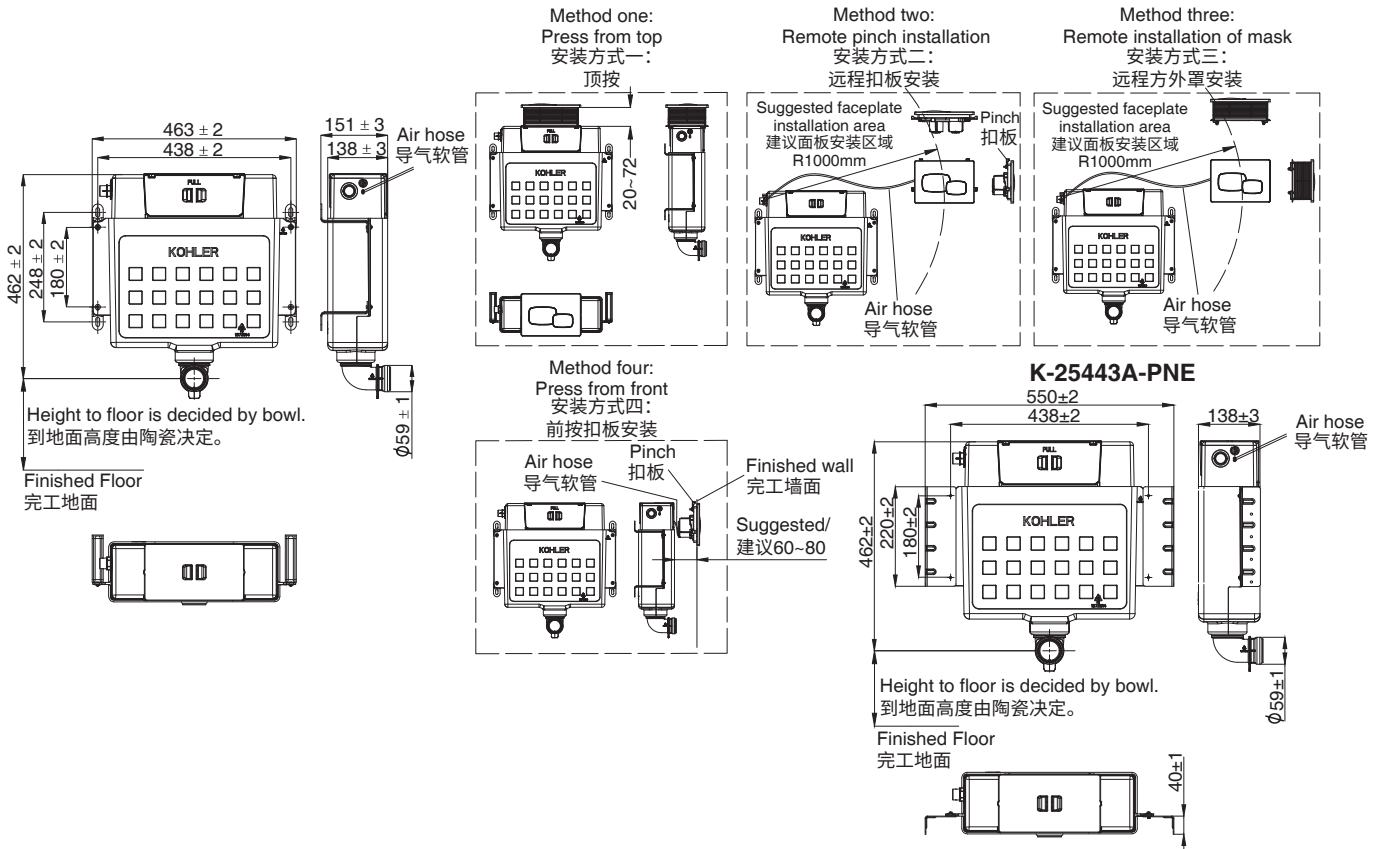
K-25440T-*/K-25439R-PNE/K-25440H-PNE/K-25440K-PNE/K-25440A-PNE/K-32617MY-PNE/K-25441TW-PNE

Installed with faceplate K-20341-PNE
与气动面板K-20341T-PNE安装

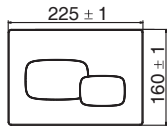


K-25443T-*/K-25443H-PNE/K-25443K-PNE/K-25443A-PNE/K-32618MY-PNE/K-25444TW-PNE

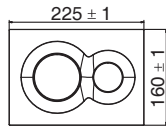
Installed with faceplate K-20341T-PNE
与气动面板K-20341T-PNE安装



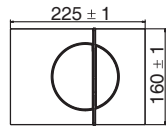
K-20341T-PNE



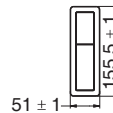
K-75890T-PNE



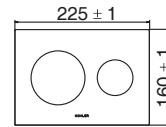
K-75891T-PNE



K-23055T-PNE



K-24149T/K-24151T



Kohler reserves the right to change marked dimensions without prior notice.
科勒公司保留随时变更图中标示尺寸的权利, 无需另行通知。

INSTALLATION

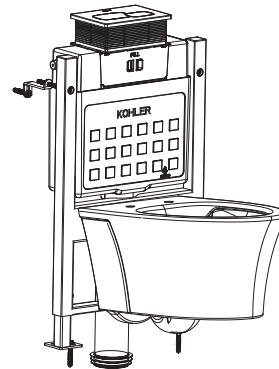
安装

INSTALLATION METHODS

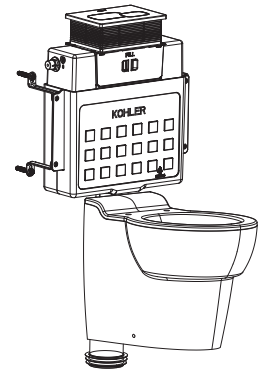
安装方式

There are two methods to install this product: In-Wall Tank with frame, In-Wall Tank without frame.

本产品具有两种安装方式: 入墙式隐藏水箱 (含固定支架) 座便器、入墙式隐藏水箱 (不含固定支架) 座便器。



In-Wall Tank With Frame
入墙式隐藏水箱
(含固定支架) 座便器



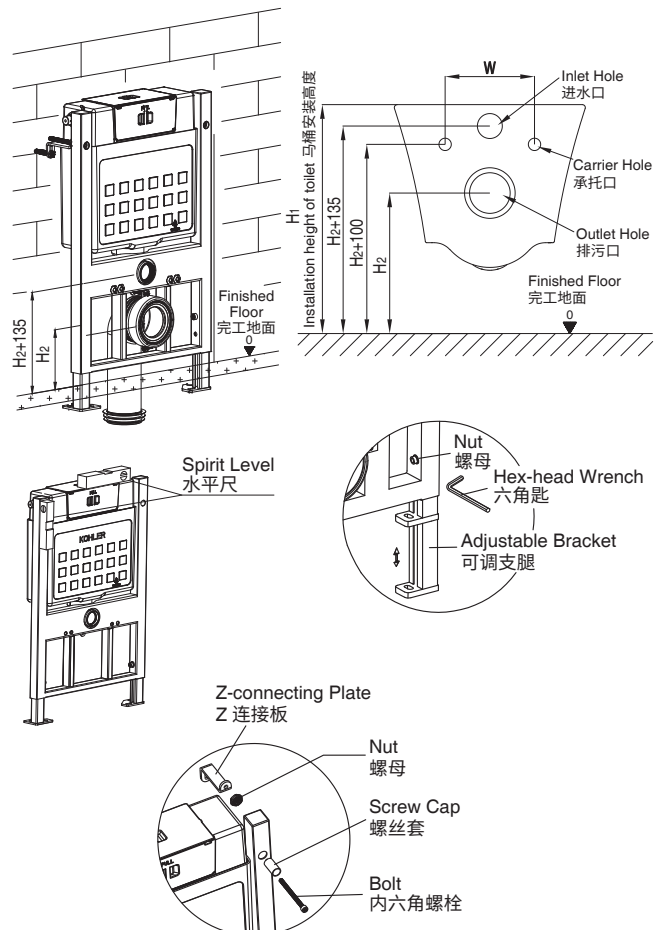
In-Wall Tank Without Frame
入墙式隐藏水箱
(不含固定支架) 座便器

First method: Installation for In-Wall Tank with frame 安装方式一: 入墙式隐藏水箱 (含固定支架) 座便器安装

1A. Installation of In-Wall Tank 1A. 隐藏水箱安装

One. Installation of In-Wall Tank on the solid wall 一. 在实心承重墙上隐藏水箱的安装

- As shown in the figure, first determine the height of the discharge pipe (H_2) and the height of the water inlet (H_2+135) according to the mounting height of the toilet (H_1) and the height of the drainage hole (H_2). Then, loose the bolts by hex-head wrench and adjust adjustable bracket height. Tighten the bolts to fixate the adjustable bracket.
- 如图首先根据座便器的安装高度 (H_1) 和排污口高度 (H_2), 确定水箱排污管的高度 (H_2) 和进水口的高度 (H_2+135), 然后用六角匙拧松内六角螺栓后, 调节可调支腿的高度后, 再拧紧内六角螺栓固定可调支腿。
- Tighten the bolt, screw cap and nut on the frame with a hex-head wrench and fixate the Z-connecting plate.
- 用六角匙将内六角螺栓用螺母及螺丝套固定在铁架上后, 安装 Z 连接板。



3. Align the tank on the wall as shown and locate the installation holes of the fixating bracket. Mark on the wall and floor for appropriate position for fixing the bracket, and drill four holes with a diameter of 12mm and a depth of 65mm with churn drilling as shown in illustration, and fill in the holes with expanding bolt caps.

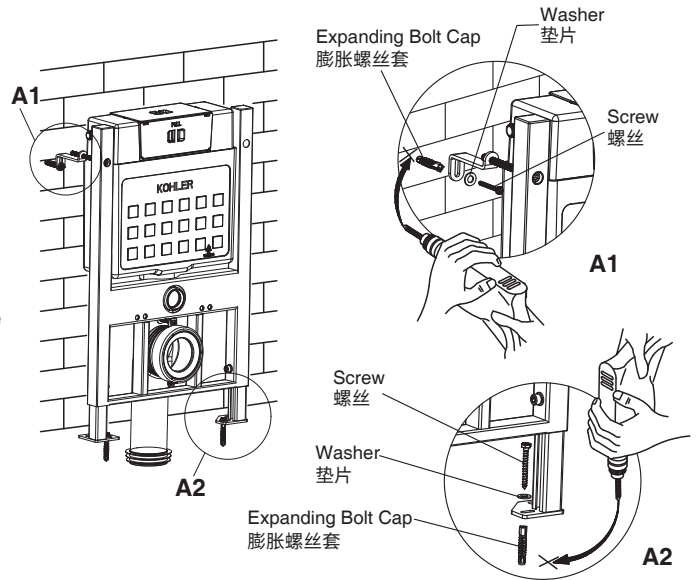
3. 水箱靠在墙上，在墙面与地面安装位置孔做记号，用冲击钻钻四个 $\Phi 12\text{mm}$ 深 65mm 的小孔，然后装上膨胀螺丝套。

4. As Fig A1, A2 shown, tighten the screw and washer to fixate the tank.

4. 如图 A1、A2，用 4 颗螺丝及垫片将水箱固定。

Note: 1. Solid wall thickness should exceed 100mm.
 2. Following the steps: **1B. Discharge pipe installation method** before fixating the tank.
 3. Ensure that the tank remains level and plumb.
 4. If necessary, the front and rear walls of the discharge pipe need to be partially cut away to install the discharge pipe.

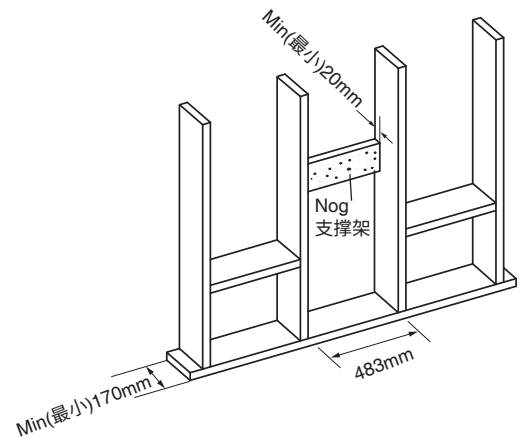
注: 1. 实心承重墙的厚度应不小于 100mm。
 2. 水箱固定前排污管安装步骤 **1B: 排污管安装方法**。
 3. 水箱保持水平和竖直方向。
 4. 必要时，排污管前后墙体需要局部切割避让以安装排污管。



Two. Installation of In-Wall Tank on the timber 二. 在木框架上隐藏水箱的安装

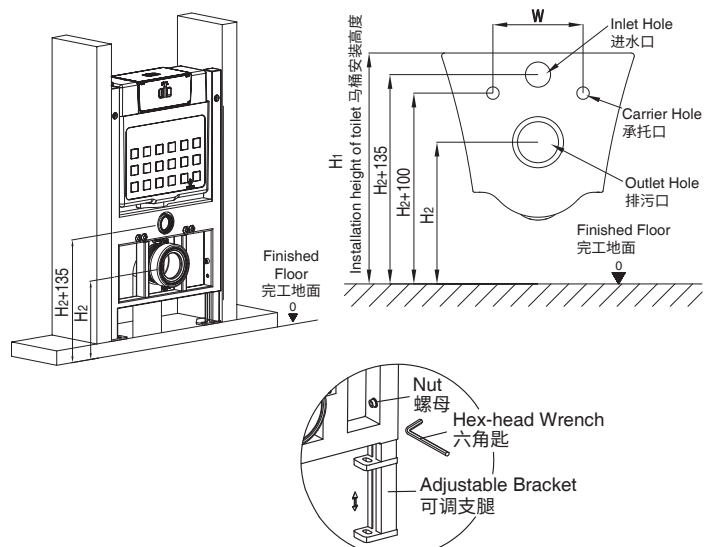
1. Minimum cavity (stud pocket) dimensions for installation of the In-Wall Tank, 483mm wide, 170mm deep.

1. 水箱安装的木框架空间最小尺寸：170mm 深，483mm 宽。



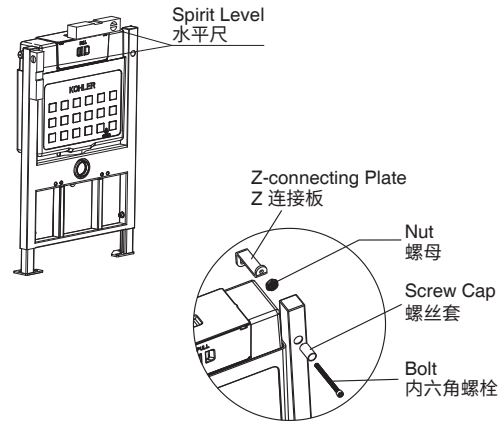
2. As shown in the figure, first ensure that the front face of the frame is flush with the front of the studs. Determine the height of the discharge pipe (H_2) and the height of the water inlet (H_2+135) according to the mounting height of the toilet (H_1) and the height of the drainage hole (H_2). Then, loose the bolts by hex-head wrench and adjust adjustable bracket height. Tighten the bolts to fixate the adjustable bracket.

2. 如图首先确保铁架的前面与木框架的前面对齐，根据座便器的安装高度 (H_1) 和排污口高度 (H_2)，确定水箱排污管的高度 (H_2) 和进水口的高度 (H_2+135)，然后用六角匙拧松内六角螺栓后，调节可调支腿的高度后，再拧紧内六角螺栓固定可调支腿。



3. Tighten the bolt, screw cap and nut on the frame with a hex-head wrench and fixate the Z-connecting plate.

3. 用六角匙将内六角螺栓用螺母及螺丝套固定在铁架上后，安装 Z 连接板。



4. Fixate the adjustable brackets to the base plate with two M8 coach/tek screws (not supplied) as shown. Then place the nog (not supplied) on the back of the frame horizontally, ensuring enough space and firmness.

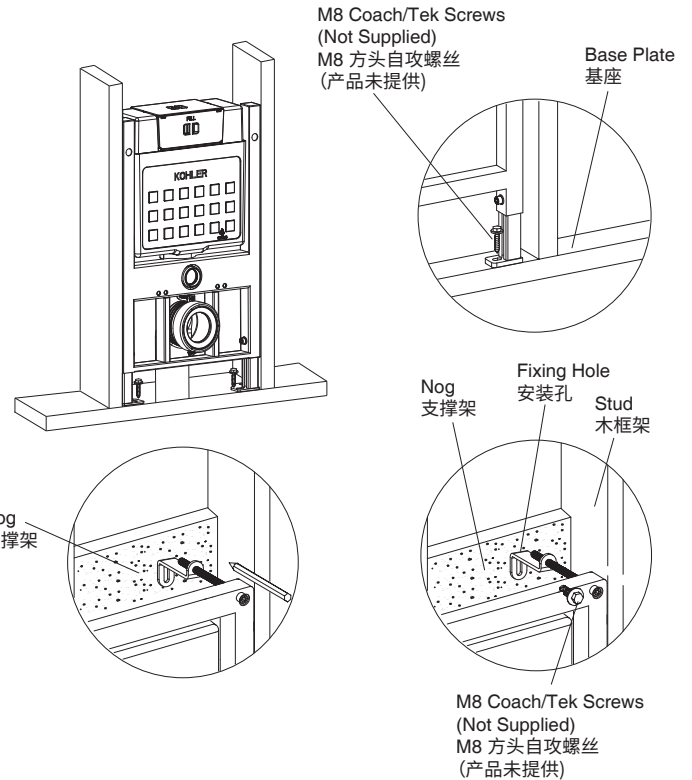
4. 如图用 2 颗 M8 方头自攻螺丝（产品未提供）将水箱可调支腿固定。然后将支撑架（产品未提供）水平放在铁架背面，确保足够的安装空间和牢固。

5. Mark the two end positions of nog on the vertical studs as shown. Cut off the redundant parts and then fixate the nog to the studs.

5. 如图标记支撑架在木框架的左右位置，切掉左右多余的部分后，将支撑架固定在木框架上。

6. Fixate the tank to the nog with two M8 coach/tek screws (not supplied).

6. 如图用 2 颗 M8 方头自攻螺丝（产品未提供）将水箱固定在支撑架上。



Note: 1. The timber and nog should be strong enough to support the tank and toilet.

2. Following the steps: **1B. Discharge pipe installation method** before fixing the tank.

3. Ensure that the tank remains level and plumb.

4. If necessary, the front and rear walls of the discharge pipe need to be partially cut away to install the discharge pipe.

注: 1. 木框架及支撑架应该有足够的强度支撑水箱及马桶。

2. 水箱固定前排污管安装步骤 **1B: 排污管安装方法**。

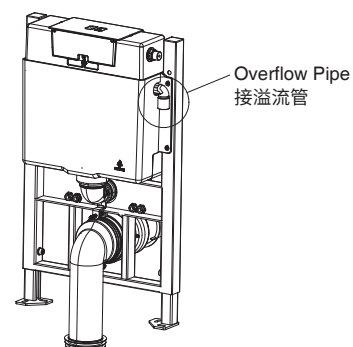
3. 水箱保持水平和竖直方向。

4. 必要时，排污管前后墙体需要局部切割避位以安装排污管。

Three. Installation of side overflow pipe (K-25440H-PNE) 三 . 侧边溢流管安装 (K-25440H-PNE)

Connect with overflow pipe on the side when installing.

施工时侧边接溢流管。

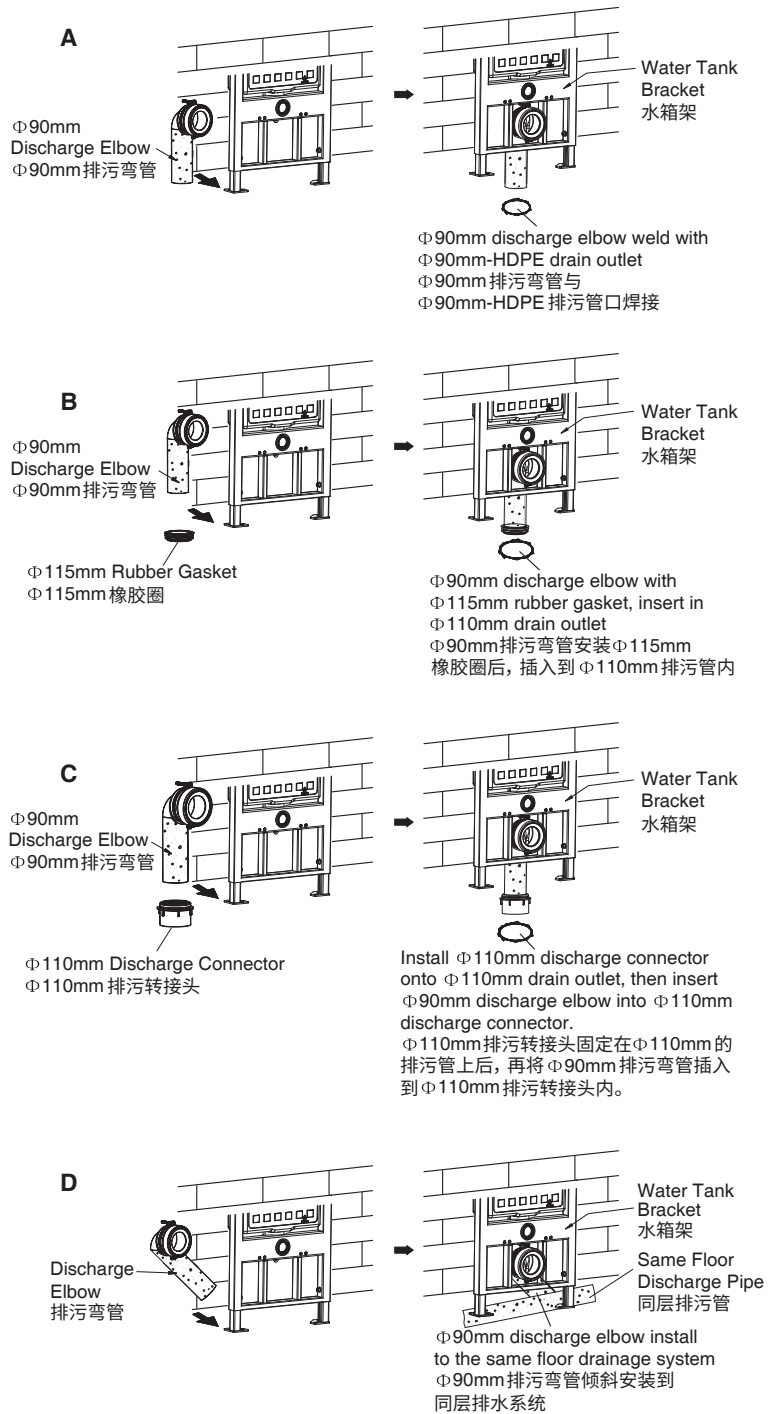


1B. Discharge pipe installation method 1B. 排污管安装方法

One. Floor discharge installation method 一. 地排安装方法

Four discharge elbow installation methods based on actual situations: A, B, C, D, adjust position with a screw driver. Snap discharge elbow lower end into discharge port.

首先根据实际情况有四种排污弯管安装方法: A, B, C, D, 然后用螺丝刀旋调节螺丝调整位置。最后再把排污弯管的下端装进排污口。



Note: Φ90mm and Φ110mm in the figure refer to the outer diameter of the pipe.

注: 图中 Φ90mm、Φ110mm 均是指管道外径尺寸。

Two. Installation of p-trap 二. 横排安装方法

First of all, there are two discharge pipe installation methods based on actual situations: A, B.

首先根据实际情况有 A、B 两种排污管安装方法。

A. Install $\Phi 110\text{mm}$ discharge connector onto $\Phi 110\text{mm}$ drain outlet on the wall.

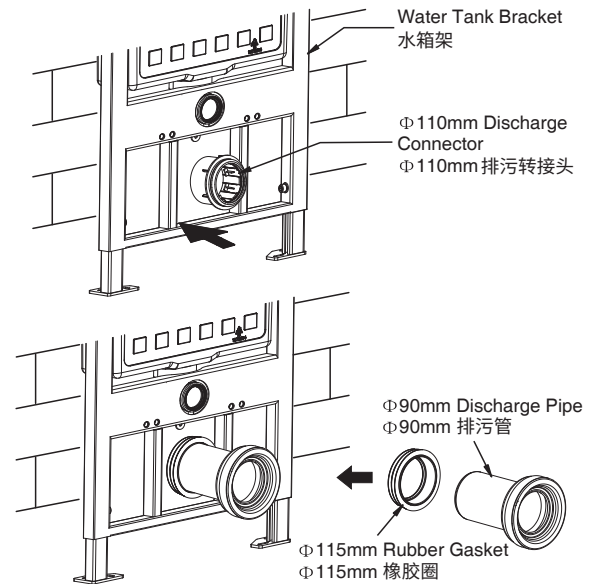
A. 将 $\Phi 110\text{mm}$ 排污转接头固定在墙面 $\Phi 110\text{mm}$ 排污口上。

B. Fixate $\Phi 115\text{mm}$ rubber gasket onto $\Phi 90\text{mm}$ discharge pipe, and then insert into $\Phi 110\text{mm}$ drainage pipe.

B. $\Phi 90\text{mm}$ 排污管安装 $\Phi 115\text{mm}$ 橡胶圈后, 插入到 $\Phi 110\text{mm}$ 排污管内。

Note: $\Phi 90\text{mm}$ and $\Phi 110\text{mm}$ in the figure refer to the outer diameter of the pipe.

注: 图中 $\Phi 90\text{mm}$ 、 $\Phi 110\text{mm}$ 均是指管道外径尺寸。



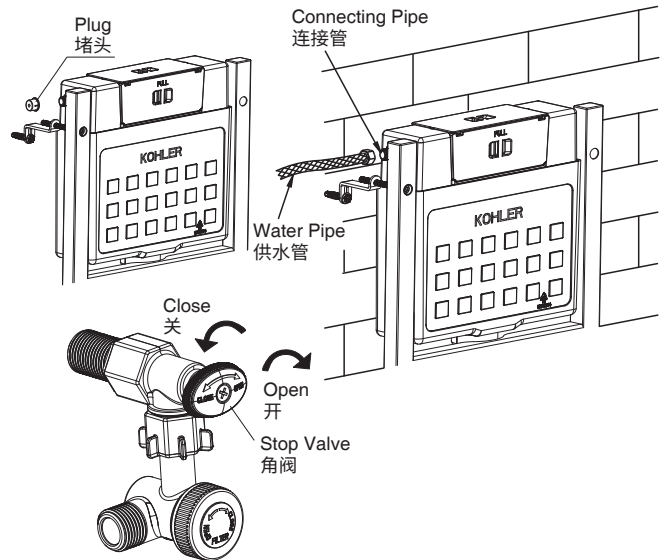
1C. Connecting the water pipe 1C. 供水管连接

Remove the plug, connect the water pipe on the top of water tank for water supply as shown.

Note: 1. Suggestion: flush the water pipe. Ensure water is clean, no residual sand stone or fouling inside the pipe.
2. Water pipe may be a flexible hose or hard pipe.
3. Suggestion: Close the stop valve of the In-Wall Tank after checking for leakage, and open it before faceplate installation.

如图所示取下堵头后将供水管装在水箱顶部连接管上供水。

注: 1. 建议在连接供水前, 冲洗供水管道, 确保管路中的水干净, 管道内无沙石、污垢等。
2. 供水管可以是软管或者硬管。
3. 建议检查管路密封性后, 关闭角阀, 安装面板前再打开角阀。

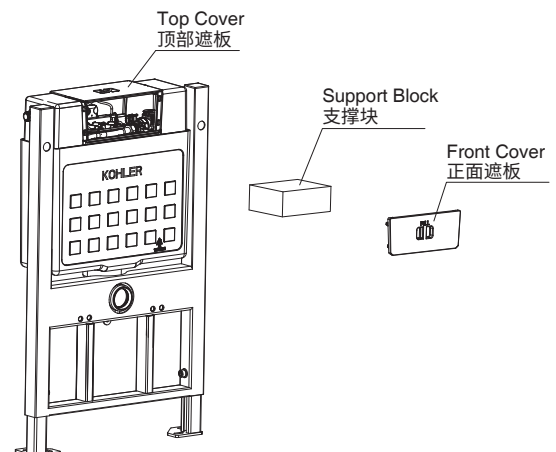


1D. Installations of reserved access panel 1D. 预留检修口安装

Before Installation 安装之前

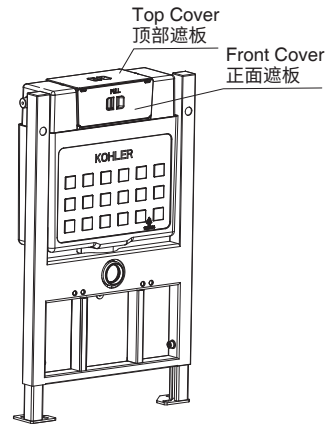
A. Remove front cover or top cover inside the water tank first as shown. Then remove the support block above the bracket assembly.

A. 如图首先把水箱上的正面遮板或者顶部遮板取下, 再取出支架组件上方的支撑块。



B. Fixate the cover onto the tank.

B. 水箱遮板装回水箱。



**According to demand, there are different installations of reserved access panel as below.
根据使用需求，预留检修口有如下安装方式：**

There are four methods to install the reserved access panel:

- Method one: Press from top (Mask is reserved access panel)
- Method two: Remote pinch installation: fixate four pinches with screws (Reserve access panel at front cover or top cover)
- Method three: Remote installation of mask (Reserve access panel at front of cover)
- Method four: Press from front (Front cover is reserved access panel)

首先根据使用需求，预留检修口有四种安装方式：

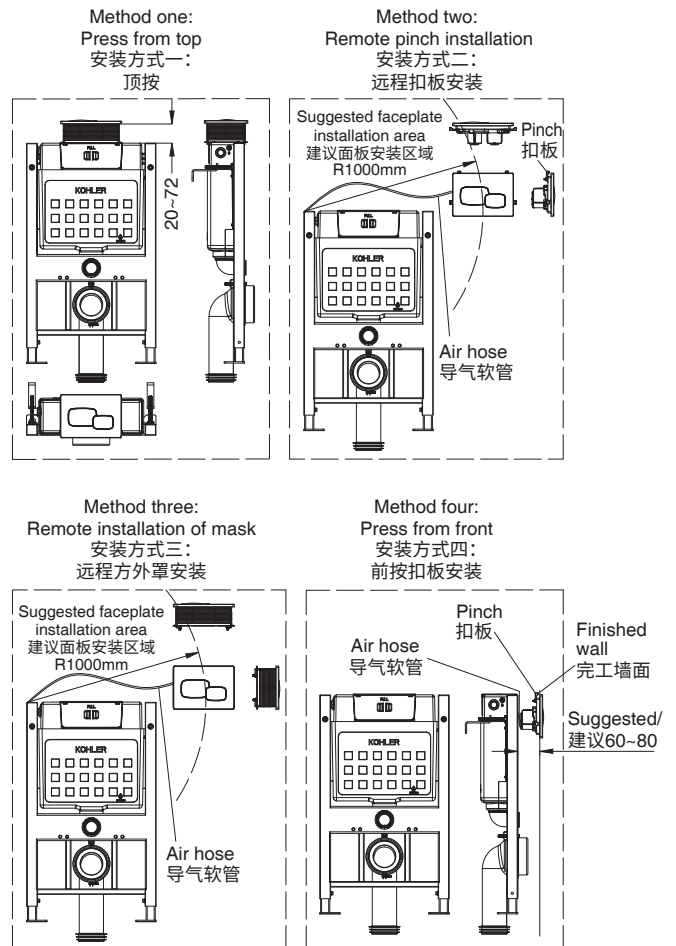
- 安装方式一：顶按（方外罩为预留检修口）
- 安装方式二：远程扣板安装：四个扣板通过螺丝固定（需在水箱正面遮板或者顶部遮板位置处预留相应大小的检修口）
- 安装方式三：远程方外罩安装（需在水箱遮板位置处预留相应大小的检修口）
- 安装方式四：前按扣板安装（正面遮板位置为预留检修口）

K-23055T-PNE faceplates are only suitable for method two:
Remote pinch installation

K-23055T-PNE 面板只适合安装方式二：远程扣板安装

*K-31881T faceplate has its special accessory, and need to purchase separately 1586949 mask assembly.

*K-31881T 面板专配另购 1586949 方外罩



1. Method one: Press from top (Mask is reserved access panel)

1. 安装方式一：顶按（方外罩为预留检修口）

Cut apart the cable tie of the air hose. Pull it out and put into the tank.

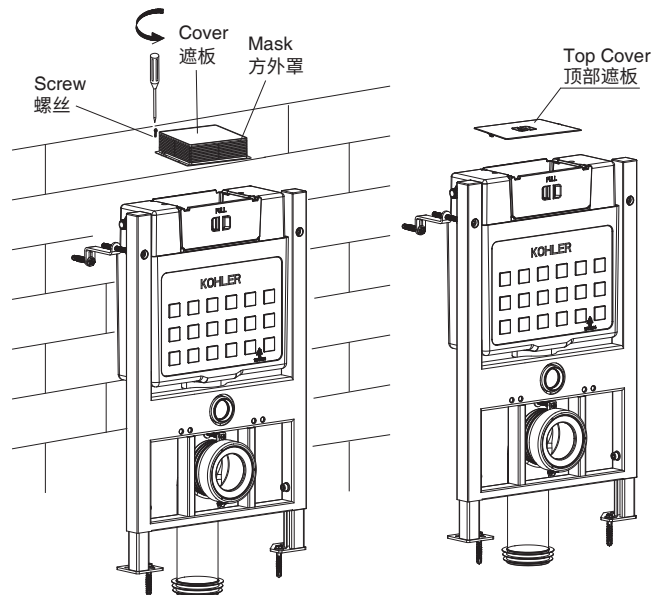
Remove the top cover, install the mask in the block screen of the tank, and tighten the screw to fixate the mask to the tank.

Note: Do not remove and discard the mask cover before installation of the water tank faceplate.

Foreign matters and dusts should be prevented from entering the water tank during construction.

将导气软管的扎线带剪开，导气软管抽出放入水箱。
将顶部遮板取下，将方外罩装在水箱上原遮板的位置，并拧紧螺丝使方外罩紧固在水箱上。

注：方外罩遮板，安装水箱面板前请勿移除和废弃。
避免施工过程中异物及灰尘进入水箱。



2. Methods two and three: Remote installation (Reserve access panel at front cover or top cover)

2. 安装方式二和三：远程安装（需在水箱正面遮板或者顶部遮板位置处预留相应大小的检修口）

A. Remote hose installation

A. 远程气管安装

Put remote hose through the tube (Customer prepare), reach to the faceplate location.

将外置远程气管穿过穿线管（客户准备），引到面板的安装位置。

B. Gap for remote installation

B. 远程安装避位

Method two: Remote pinch installation

安装方式二：远程扣板安装

Reserve 60~80mm gap on the wall. 7~20mm thickness is recommended to fixate pinch. Recommended installation hole size of L X W mm and the depth reserved of pinch 15~25mm on the back of finished wall to fixate pinch are as follows:

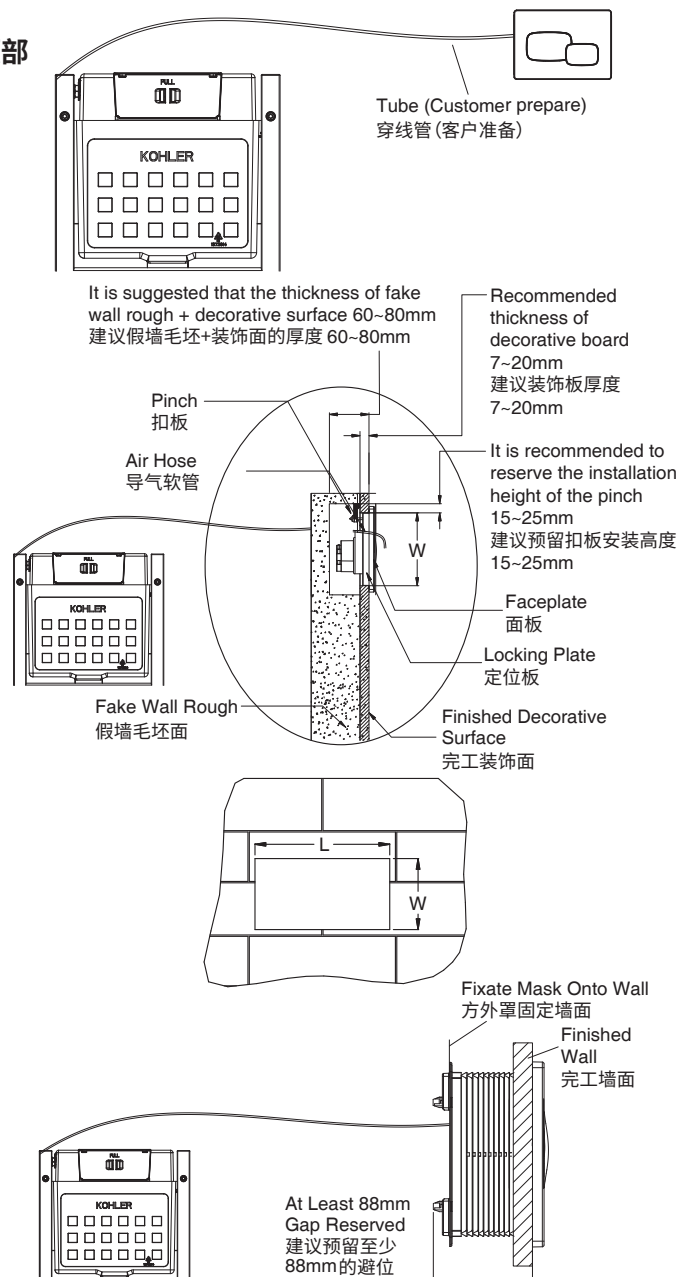
墙面预留 60~80mm 深的避位，扣板安装厚度建议 7~20mm，扣板安装的建议安装孔 L X W (mm)，完工墙内侧预留扣板安装深度 15~25mm，见如下两种尺寸及适配面板型号：

- LXW: 201⁺²₀ X 136⁺²₀ mm:
K-20341T-PNE K-24149T K-75891T-PNE
K-75890T-PNE K-24151T
- LXW: 146⁺²₀ X 41⁺²₀ mm:
K-23055T-PNE

Method Three: Remote installation of mask

Leave a gap of at least 88mm.

安装方式三：远程方外罩安装
墙面至少预留 88mm 深的避位



3. Method four: Press from front (Front cover is reserved access panel)

3. 安装方式四：前按扣板安装 (正面遮板位置为预留检修口)

Cut apart the cable tie of the air hose. Pull it out and put into the tank.

将导气软管的扎线带剪开，导气软管抽出放入水箱。

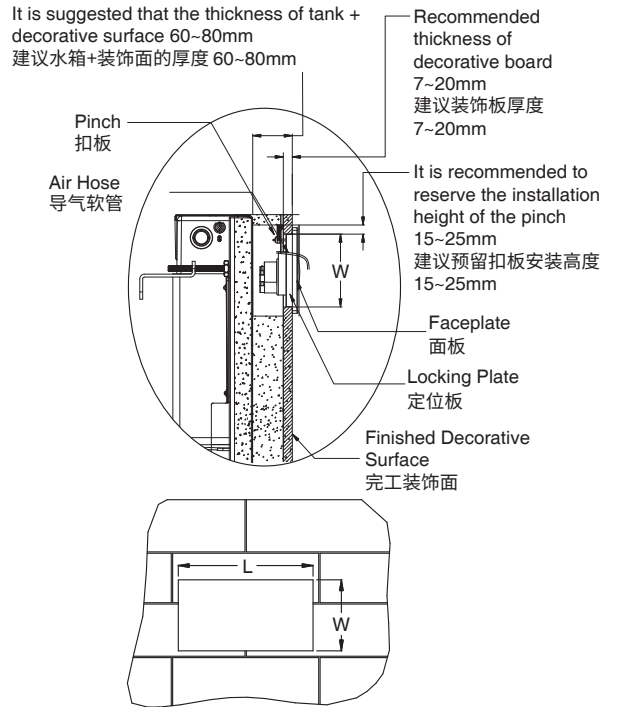
Reserve 60~80mm gap on the wall. 7~20mm thickness is recommended to fixate pinch. Recommended installation hole size of L X W mm and the depth reserved of pinch 15~25mm on the back of finished wall to fixate pinch are as follows:

墙面预留 60~80mm 深的避位，扣板安装厚度建议 7~20mm，扣板安装的建议安装孔 L X W (mm)，完工墙内侧预留扣板安装深度 15~25mm，见如下尺寸及适配面板型号：

- LXW: 201⁺² X 136⁺² mm:
- K-20341T-PNE K-24149T K-75891T-PNE
- K-75890T-PNE K-24151T

Note: No direct contact between the faceplate and the tank.

注：面板与水箱不直接接触。



1E. Building of the wall

1E. 砌墙

1. Protection of inlet hole and drainage hole

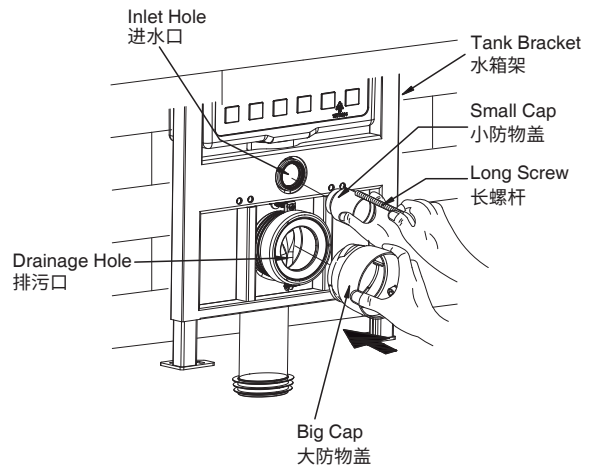
1. 进、排水口防护

As shown, tighten the long screw into the holes of the tank bracket and cover the drainage hole with the big cap, cover the inlet hole with the small cap.

- Note:**
1. The screw head '—' slot is facing outward.
 2. Install screw protective hose, do not remove it before installing the toilet.

如图将长螺杆旋入水箱架的螺丝孔上，再将大防物盖装在排污口上，小防物盖装在进水口上。

- 注：
1. 螺杆一字头朝外。
 2. 螺杆防护套安装好，安装座便器前不要取下来。



2. Building wall thickness, follow: 1D Installations of reserved access panel

2. 施工假墙厚度，按照步骤 1D：预留检修口安装

- A. Press from top: Building wall thickness 20~72mm from the front of tank.
- A. 顶按：假墙厚度距水箱正面 20~72mm。
- B. Remote installation: Building wall thickness follow: 1D Installations of reserved access panel, remote installation part of reserved access panel.
- B. 远程安装：假墙厚度见 1D：预留检修口安装，预留检修口的远程安装部分。
- C. Press from front: Building wall thickness 80±3mm from the front of tank.
- C. 前按：假墙厚度距水箱正面 80±3mm。

3. After completing the building of the wall, remove protection of inlet hole and drainage hole

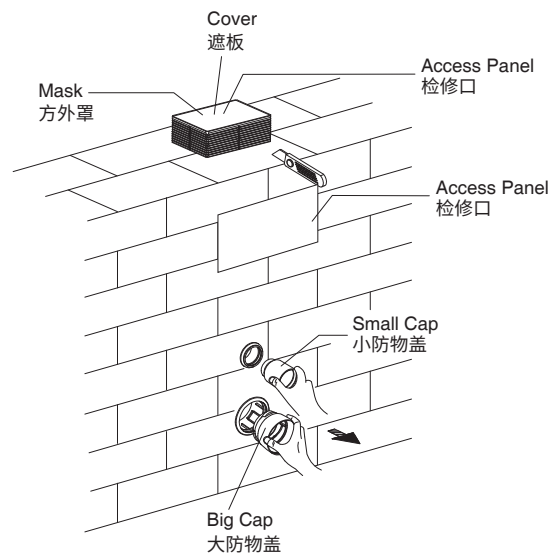
3. 砌墙后，取出进、排水口防护

When finishing the building of the wall, take out the big and small caps, and eliminate unwanted mask with a sharp knife, if there is mask.

- Note:**
1. Reserve access panel at front of or top of the tank in remote installation.
 2. Do not remove and discard the mask cover before installation of the water tank faceplate. Foreign matters and dusts should be prevented from entering the water tank during construction.

如图砌完墙后。将大、小防物盖取出，然后根据需要，有方外罩时用美工刀把方外罩多余的长度锯掉。

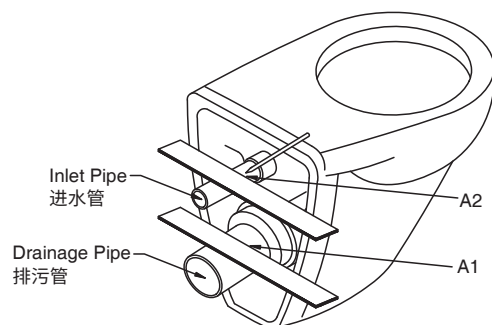
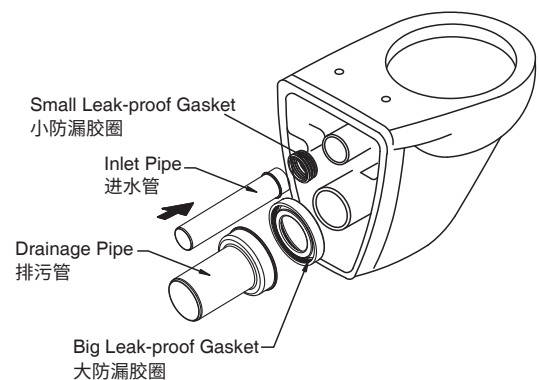
- 注：**
1. 远程安装时，水箱的前方或者顶部预留检修口。
 2. 方外罩遮板，安装水箱面板前请勿移除和废弃。避免施工过程中异物及灰尘进入水箱。



1F. Installation of wall-hung toilet

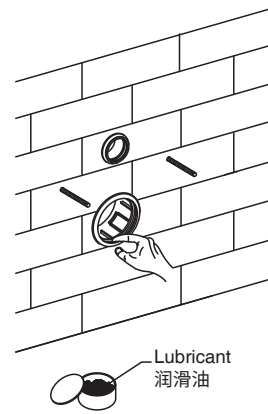
1F. 挂墙座便器安装

1. Install the big and small leak-proof gaskets on the inlet pipe and drainage pipe, and then install them to the corresponding pipes on the toilet.
1. 如图将座便器的排污管、进水管装上大、小防漏胶圈，然后装在座便器的相对应管道。
2. As shown, mark A1, A2 on the drainage pipe and the inlet pipe at the back side of the toilet with a ruler and a pencil.
2. 如图用直尺放在座便器后面的排污管、进水管用铅笔做标记线 A1, A2。



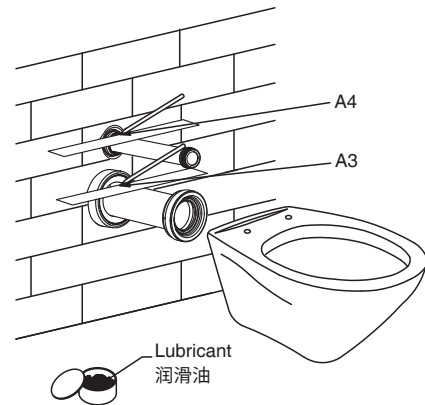
3. Apply lubricant to the drainage pipe and inlet pipe to ensure smooth installation.

3. 排污头及进水口涂上润滑油，使排污管、排水管安装顺畅。



4. Install the drainage pipe and inlet pipe to the corresponding pipes on the tank. Mark A3, A4 on the drainage pipe and the inlet pipe at the back side of the wall with a ruler and a pencil.

4. 如图将座便器的排污管、进水管装入水箱的对应管道。用直尺放在安装墙面后面的排污管、进水管用铅笔做标记线 A3, A4。

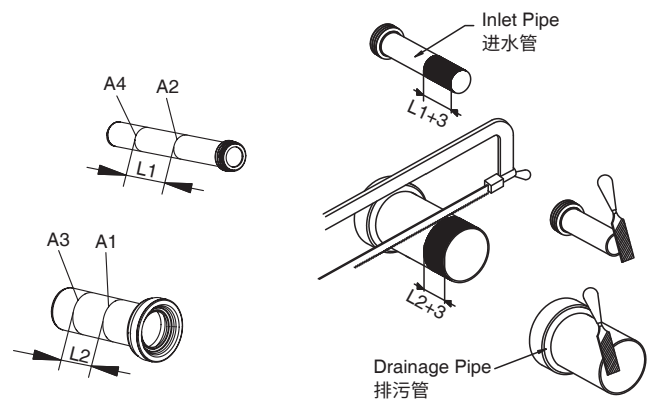


5. Eliminate unwanted part of the drainage pipe and the inlet pipe according to the marks of reserved space L2+3, L1+3, and rasp a smooth surface with files.

5. 如图在排污管、进水管已作标记的后端多余部分 L2+3, L1+3 锯掉。然后再用锉刀将锯掉的面挫平整并倒角。

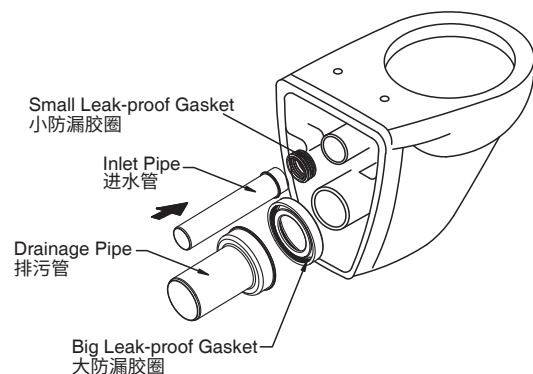
Note: According to step 4, re-install the cut drainage pipe and inlet pipe into the corresponding pipes of the tank. Confirm that the overlap deviation between marks A3 and A1 is less than 3mm and that between marks A4 and A2 is less than 3mm.

注: 将裁切后的排污管、进水管，按步骤 4，重新装入水箱的相应管道内，核查 A3 与 A1 线重合偏差小于 3mm，A4 与 A2 线重合偏差小于 3mm。



6. Install the big and small leak-proof gaskets on the inlet pipe and the drainage pipe, and then install them to the corresponding pipes on the toilet.

6. 如图将座便器的排污管、进水管装大、小防漏胶圈，然后装在座便器的相对应管道。



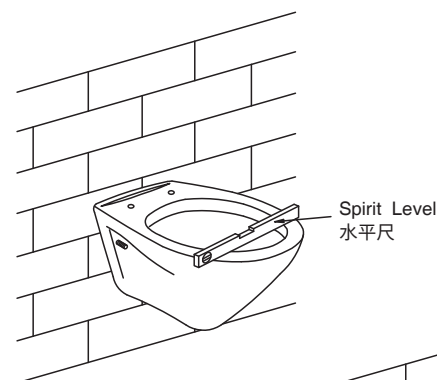
7. Remove the protecting hose from the long screw. Adjust length L of the long screw outside the wall according to the corresponding toilet. If the long screw outside the wall is not long enough or much longer than needed, it should be adjusted with a screwdriver or by hand.

7. 取下长螺杆上的防护套。依照对应的座便器调整长螺杆凸出来的长度 L。假如长螺杆长度不够或过长就用手或螺丝刀适量调节。



8. Install the toilet as shown in the illustration, and use a spirit level to ensure the toilet remains level.

8. 如图将座便器装上，并用水平尺测量座便器是否平衡。

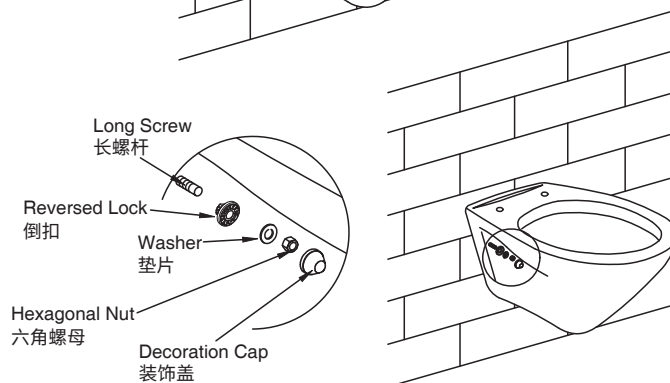


9. Install the reserved lock, washer, hexagonal nut and decoration cap onto the long screw in the order shown in the illustration.

Note: Please refer to the installation instructions of the toilet.

9. 如图首先将倒扣、垫片套在长螺杆上。然后拧紧六角螺母，最后盖上装饰盖即可。

注: 实际安装座便器时，依照对应座便器的安装方法。



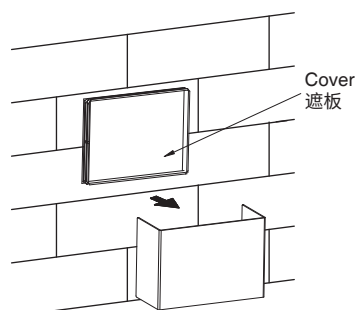
1G. Installation of faceplate 1G. 面板安装

According to different faceplates, there are different faceplate installations as below:

根据面板不同，面板有如下安装方式：

Note: Remove the mask cover (if there is any mask).

注: 取下方外罩遮板（有方外罩时）。



1. Installing the locking plate

1. 定位板安装

A. Faceplate press from top or remote installation of mask.

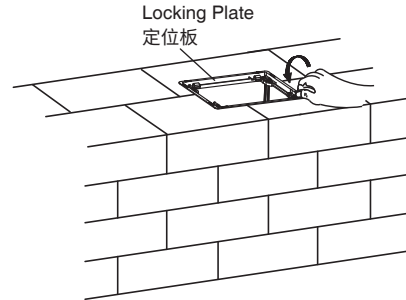
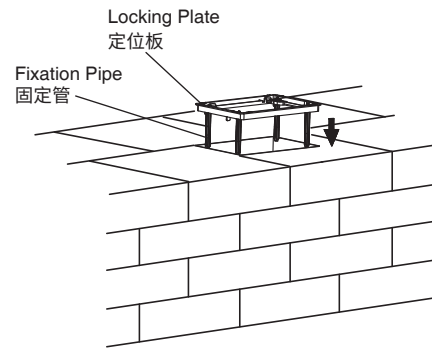
A. 适配顶按或远程方外罩安装。

a. When tightening the four fixation pipes on the locking plate, adjust to the "OPEN" mark as shown.

a. 如图将定位板装上时，把四个固定管调整在标识 "OPEN" 字样装上。

b. Tighten the four fixation pipes to the "LOCK" mark after installing the locking plate as shown.

b. 如图将定位板装上后，把四个固定管旋到 "LOCK" 字样即可。



B. Faceplate press from front or remote pinch installation.

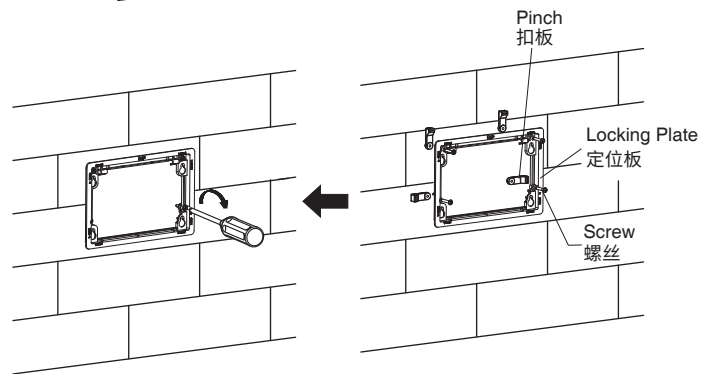
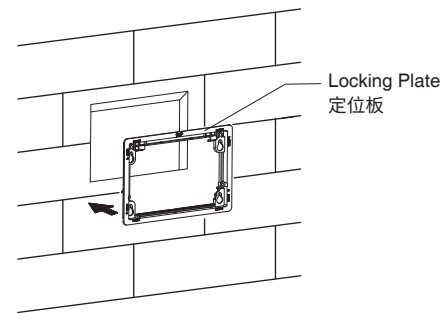
B. 适配前按或远程扣板安装。

a. As shown, install locking plate.

a. 如图装上定位板。

b. Tighten screw, pinch to fixate locking plate on the wall.

b. 如图用螺丝、扣板将定位板固定在墙上。



2. Connecting the air hose

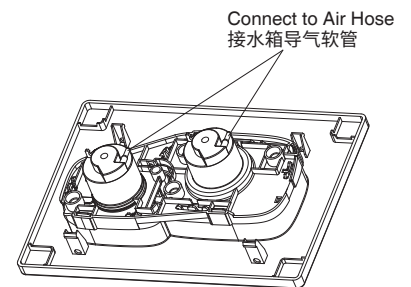
2. 气管连接

Connect the full-flush dark gray air hose and the half-flush blue air hose to the faceplate.

Note: Cut the excessive parts of the air hose if necessary, make the air hose smooth.

如图将水箱的大冲深灰色和小冲蓝色气管装入面板。

注: 根据实际情况将导气软管的多余部分切除，并理顺导气软管。

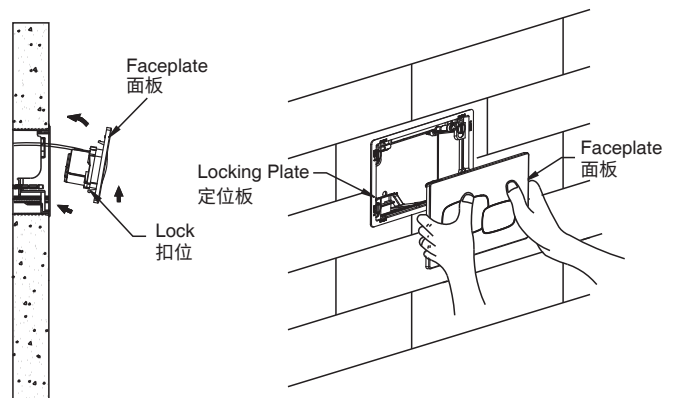


3. Fitting the faceplate

3. 面板固定

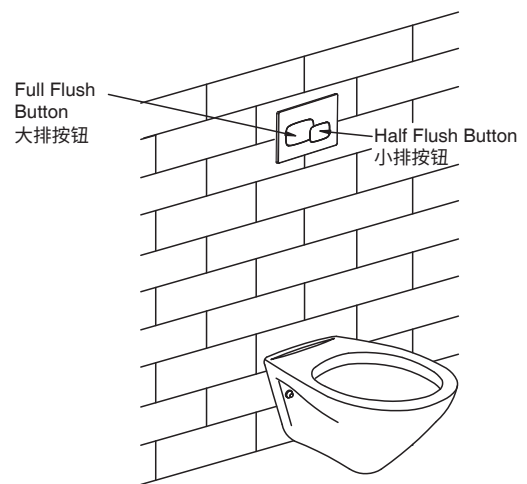
Put the lock on the faceplate directly on the reversed lock on the locking plate, then push the faceplate and lock it. The installation shall begin from bottom to top.

将面板的扣位对准定位板的倒扣。然后用力向上推，再向前扣紧。安装时要注意从下而上安装。



1H. After installation, the water supply and electricity can be connected and used

1H. 安装完毕，可以通水或者通电使用



Finished Installation Illustration
安装完毕图

Second method: Installation for In-Wall Tank without frame 安装方式二：无框架入墙式隐藏水箱座便器安装

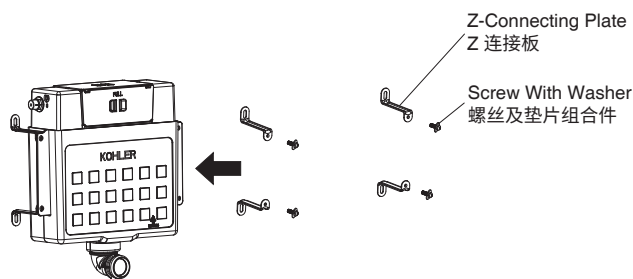
2A. Installation of In-Wall Tank 2A. 隐藏水箱安装

One. Installation of In-Wall Tank on a solid wall 一. 在实心承重墙上隐藏水箱的安装

1. Install Z-connecting plate onto tank 1. Z 连接板安装

Fasten screw with washer to fixate Z-connecting plate onto tank.

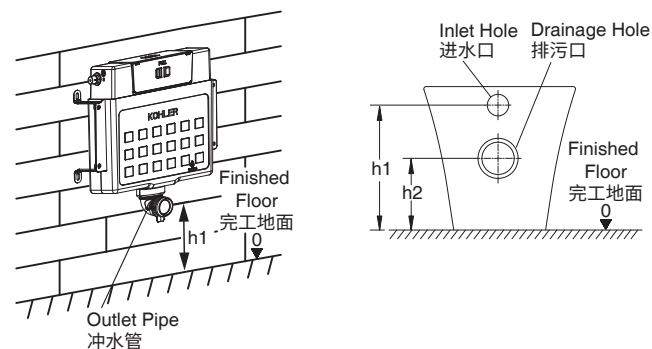
用螺丝及垫片组合件将 Z 连接板固定在水箱上。



2. Install tank onto the wall 2. 固定水箱

A. Check the height of h1 inlet hole and h2 drainage hole according to the dimensions of the bowl.

A. 如图首先根据座便器的进水口 h1 和排污口高度 h2 确定水箱进水口的高度 h1 和排污管的高度 h2。

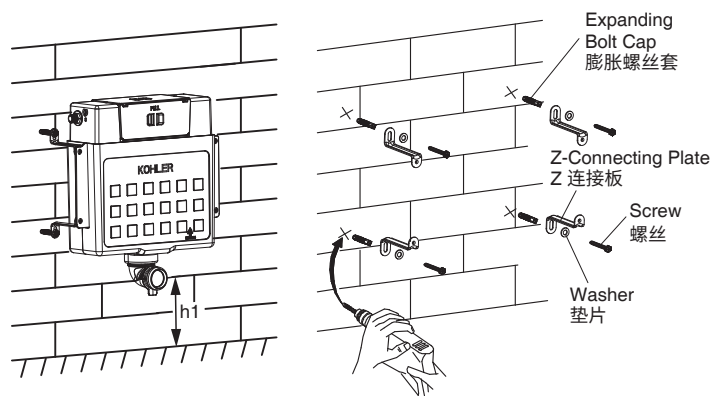


B. Align the tank on the wall as shown and locate the installation holes of Z-connecting plate. Mark on the wall for appropriate position for the Z-connecting plate, and drill four holes with a diameter of 12mm and a depth of 65mm with churn drilling as shown in illustration, and fill in the holes with expanding bolt caps.

B. 水箱靠在墙上，在墙壁上把 Z 连接板安装孔做记号后，用冲击钻钻四个 $\Phi 12\text{mm}$ 深 65mm 的小孔，然后安装膨胀螺丝套。

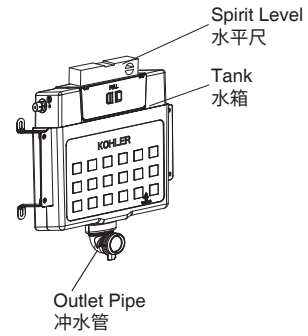
C. As shown, tighten the screw and washer to fixate the tank.

C. 如图用 4 颗螺丝及垫片将水箱固定。



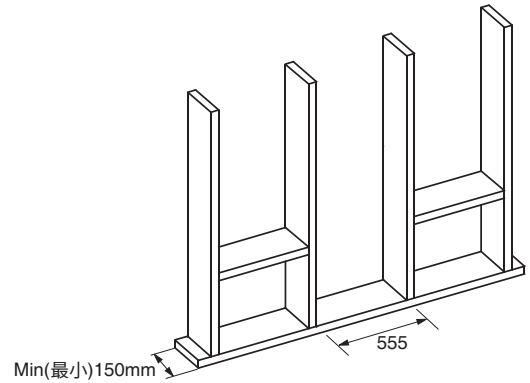
- Note:** 1. Following the steps: **2B. Discharge pipe installation method** before fixating the tank.
 2. Ensure that the tank remains level and plumb.
 3. If necessary, the front and rear walls of the discharge pipe need to be partially cut away to install the discharge pipe.

- 注:** 1. 水箱固定前排污管安装步骤 **2B: 排污管安装方法**。
 2. 水箱保持水平和垂直方向。
 3. 必要时, 排污管前后墙体需要局部切割避位以安装排污管。

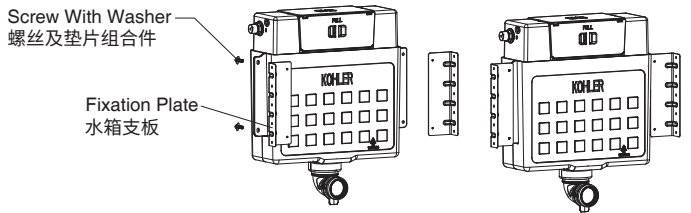


Two. Installation of In-Wall Tank on the timber (K-25443A-PNE)
二. 在木框架上隐藏水箱的安装 (K-25443A-PNE)

1. Minimum cavity (stud pocket) dimensions for installation of the In-Wall Tank, 555mm wide, 150mm deep.
 1. 水箱安装的木框架空间最小尺寸: 150mm 深, 555mm 宽。



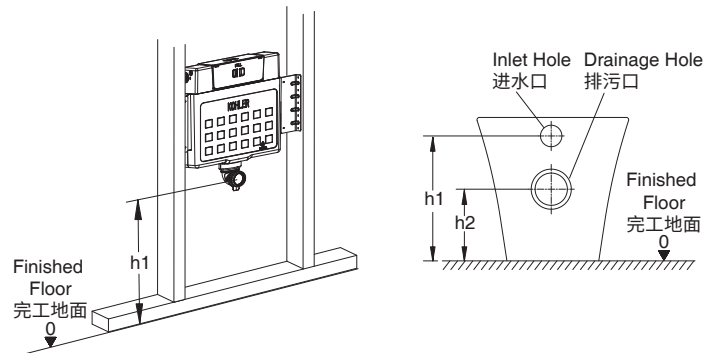
2. Install the fixation plate onto the tank
 2. 水箱支板安装



Fasten the screw with washer to fixate the fixation plate onto tank.

用螺丝及垫片组合件将水箱支板固定在水箱上。

3. Ensure that the front face of the tank is flush with the front of the studs, make sure the height of h1 inlet hole and h2 drainage hole match with the dimensions of bowl.
 3. 如图首先确保水箱的前面与木框架的前面对齐, 根据座便器的进水口 h1 和排污口高度 h2 确定水箱进水口的高度 h1 和排污管的高度 h2。



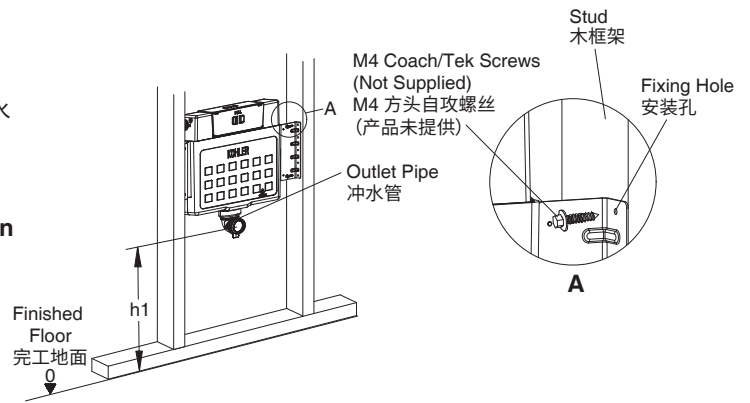
4. As Fig A, B shown, tighten ten M4 coach/tek screws (not supplied) to fixate the tank.

4. 如图 A、B，用 10 颗 M4 方头自攻螺丝（产品未提供）将水箱固定。

Note: 1. Following the steps: **2B. Discharge pipe installation method** before fixating the tank.

2. Ensure that the tank remains level and plumb.
3. If necessary, the front and rear walls of the discharge pipe need to be partially cut away to install the discharge pipe.

注: 1. 水箱固定前排污管安装步骤 **2B: 排污管安装方法**。
2. 水箱保持水平和垂直方向。
3. 必要时，排污管前后墙体需要局部切割避位以安装排污管。



Three. Installation of side overflow pipe (K-25443H-PNE)

三 . 侧边溢流管安装 (K-25443H-PNE)

Connect with overflow pipe on the side when installing.

施工时侧边接溢流管。



2B. Discharge pipe installation method

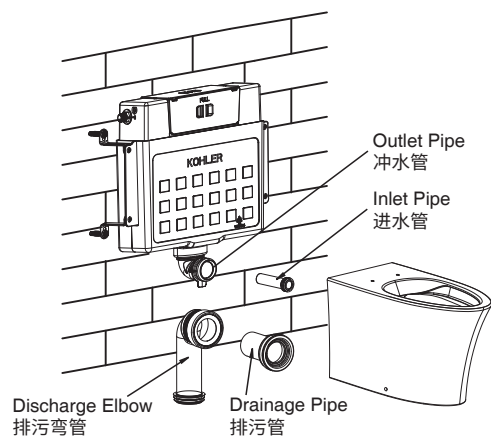
2B. 排污管安装方法

1. Insert the inlet pipe and drainage pipe into the bowl, and then adjust the outlet pipe and drainage pipe to a proper position to be fixated into the bowl. Check the positions of outlet pipe and discharge elbow and then remove the bowl.

1. 如图将进水管和排污管装入座便器，然后调整冲水管及排污管到合适位置后装入座便器，以确定冲水管及排污管的位置，拆下座便器。

2. Following the steps: 1B. Discharge pipe installation method.

2. 按照步骤：1B. 排污管安装方法。



2C. Following the steps: 1C. Connecting the water pipe

2C. 按照步骤：1C. 供水管连接

2D. Following the steps: 1D. Installation of reserved access panel

2D. 按照步骤：1D. 预留检修口安装

2E. Building of the wall

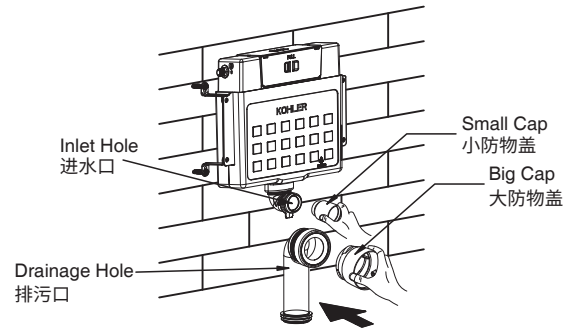
2E. 砌墙

1. Protection of inlet hole and drainage hole

1. 进、排水口防护

Cover the drainage hole with the big cap, cover the inlet hole with the small cap.

将大防污盖装在排污口上，小防污盖装在进水口上。



2. Building wall thickness, follow: 1D Installations of reserved access panel

2. 施工假墙厚度，按照步骤 1D：预留检修口安装

A. Press from top: Building wall thickness 20~72mm from the front of tank.

A. 顶按：假墙厚度距水箱正面 20~72mm。

B. Remote installation: Building wall thickness follow: 1D Installations of reserved access panel, remote installation part of reserved access panel.

B. 远程安装：假墙厚度见 1D：预留检修口安装，预留检修口的远程安装部分。

C. Press from front: Building wall thickness 80±3mm from the front of tank.

C. 前按：假墙厚度距水箱正面 80±3mm。

3. After completing the building of the wall, remove protection of inlet hole and drainage hole

3. 砌墙后，取出进、排水口防护

When finishing the building of the wall, take out the big and small caps, and eliminate unwanted mask with a sharp knife, if there is mask.

Note: 1. Reserve access panel at front of or top of the tank in remote installation.

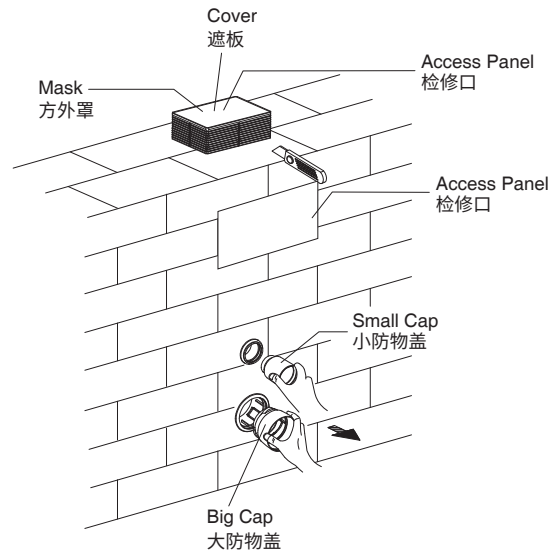
2. Do not remove and discard the mask cover before installation of the water tank faceplate.

Foreign matters and dusts should be prevented from entering the water tank during construction.

如图砌完墙后。将大、小防物盖取出，然后根据需要，有方外罩时用方外罩把方外罩多余的长度锯掉。

注： 1. 远程安装时，水箱的前方或者顶部预留检修口。

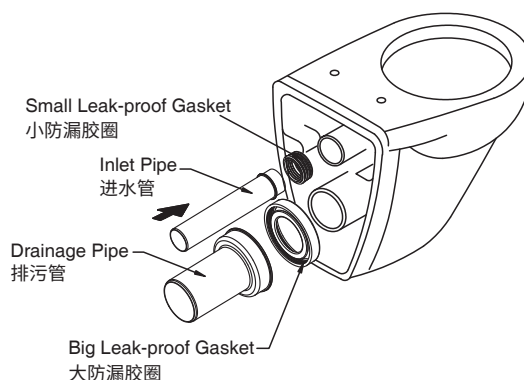
2. 方外罩遮板，安装水箱面板前请勿移除和废弃。避免施工过程中异物及灰尘进入水箱。



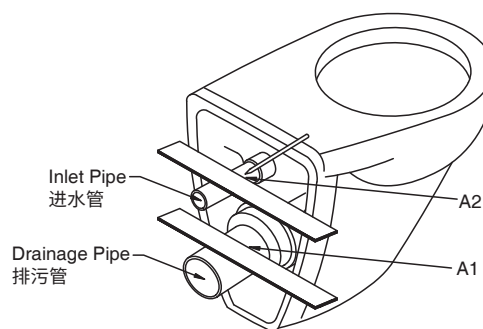
2F. Installation of wall-faced toilet

2F. 落地座便器安装

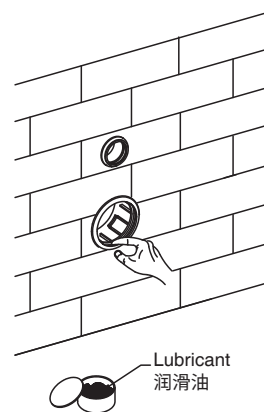
1. Install the big and small leak-proof gaskets on the inlet pipe and drainage pipe, and then install them to the corresponding pipes on the toilet.
1. 如图将座便器的排污管、进水管装上大、小防漏胶圈，然后装在座便器的相对应管道。



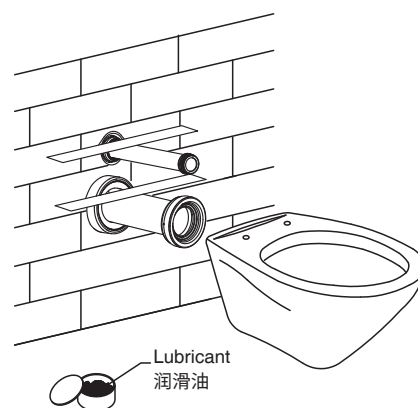
2. As shown, mark A1, A2 on the drainage pipe and the inlet pipe at the back side of the toilet with a ruler and a pencil.
2. 按图用直尺放在座便器后面的排污管、进水管用铅笔做标记线 A1、A2。



3. Apply lubricant to the drainage pipe and inlet pipe to ensure smooth installation.
3. 排污头及进水口上涂润滑油，使排污管、进水管安装顺畅。



4. Install the drainage pipe and inlet pipe to the corresponding pipes on the tank. Mark A3, A4 on the drainage pipe and the inlet pipe at the back side of the wall with a ruler and a pencil.
4. 如图将座便器的排污管、进水管装入水箱的相对应管道。用直尺放在安装墙面后面的排污管、进水管用铅笔做标记线 A3、A4。



5. Eliminate unwanted part of the drainage pipe and the inlet pipe according to the marks of reserved space L2+3, L1+3, and rasp a smooth surface with files.

5. 如图在排污管、进水管已作标记的后端多余部分 L2+3, L1+3 锯掉。然后再用锉刀将锯掉的面挫平整并倒角。

Note: According to step 4, re-install the cut drainage pipe and inlet pipe into the corresponding pipes of the tank. Confirm that the overlap deviation between marks A3 and A1 is less than 3mm and that between marks A4 and A2 is less than 3mm.

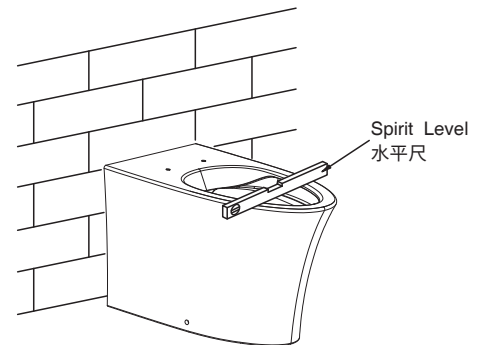
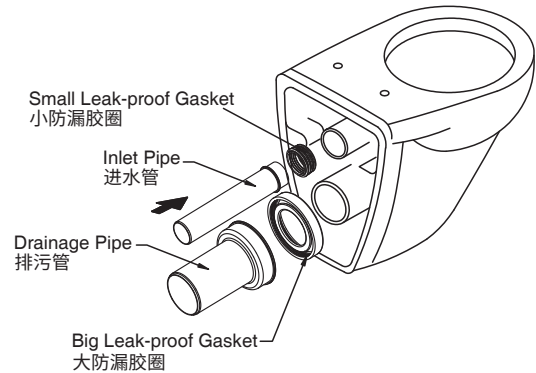
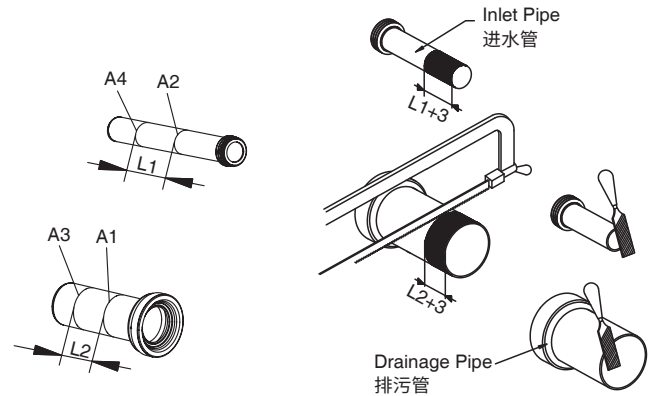
注: 将裁切后的排污管、进水管, 按步骤 4, 重新装入水箱的相应管道内, 核查 A3 与 A1 线重合偏差小于 3mm, A4 与 A2 线重合偏差小于 3mm。

6. Install the big and small leak-proof gaskets on the inlet pipe and the drainage pipe, and then install them to the corresponding pipes on the toilet.

6. 如图将座便器的排污管、进水管装上大、小防漏胶圈, 然后装在座便器的相对应管道。

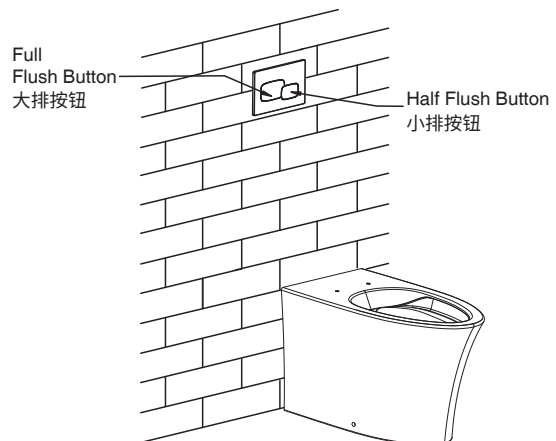
7. Install the toilet as shown in the illustration, and use a spirit level to ensure the toilet remains level.

7. 如图将座便器装上, 并用水平尺测量座便器是否平衡。



2G. Following the steps: 1G. Installation of faceplate
2G. 按照步骤: 1G. 面板安装

2H. After installation, the water supply and electricity can be connected and used
2H. 安装完毕, 可以通水或者通电使用



Finished Installation Illustration
 安装完毕示意图

A. Removal

A. 拆卸

1. As shown, hold the faceplate with both hands and push upward and outside to take down the faceplate, then remove the air hoses of the full-flush dark gray and the half-flush blue. Then remove the faceplate.

1. 如图拆卸面板时，用双手握住面板用力向上推，并向外松动，轻轻拆下面板后，并拆下面板上连接的水箱大冲深灰色和小冲蓝色气管。

2. Pay special attention when dismantling the locking plate's four fixation pipes, all bolts shall align with the "OPEN" mark.

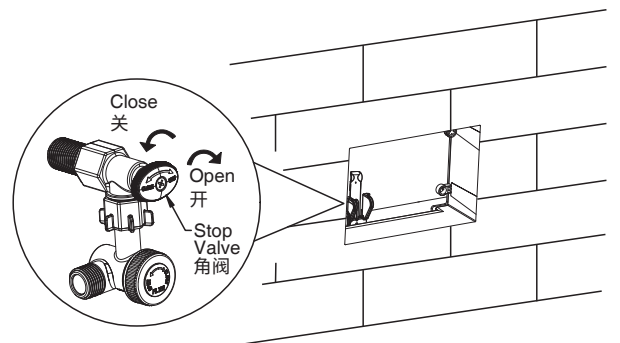
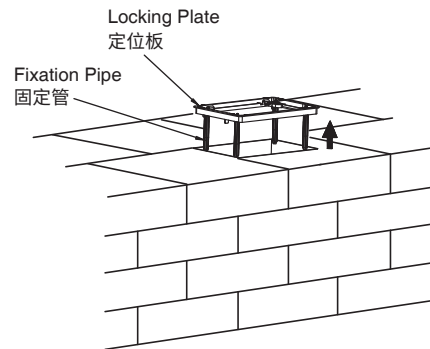
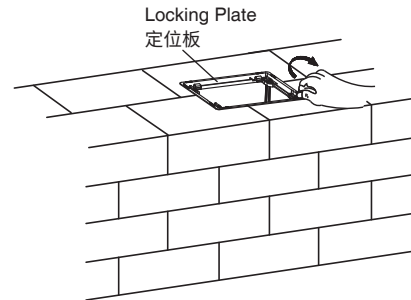
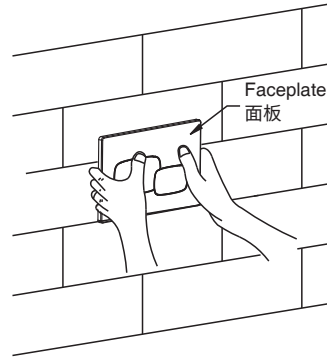
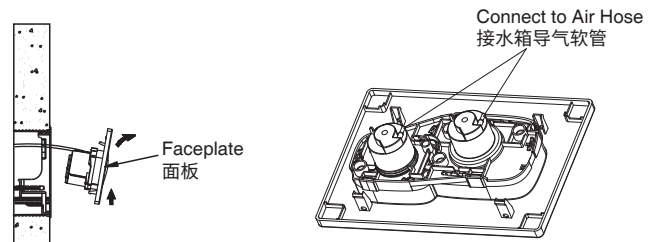
2. 如图将定位板拆卸时注意四颗固定管要全部对准 "OPEN" 字样。

3. Dismantle the locking plate.

3. 如图拆出定位板。

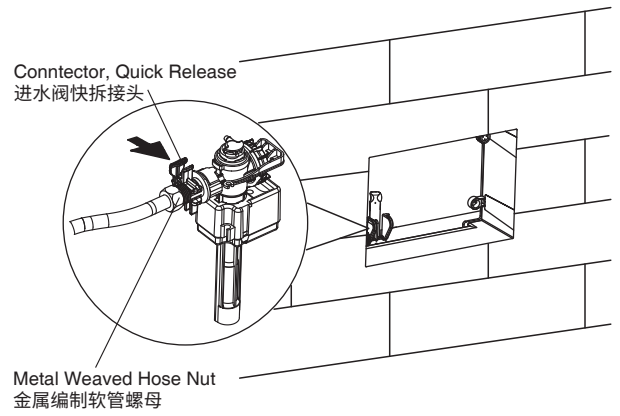
4. Open/close the water supply
Rotate the stop valve switch to open/close the water supply as shown.

4. 打开或关闭水源
如图旋转角阀的开关可使水源打开或关闭。



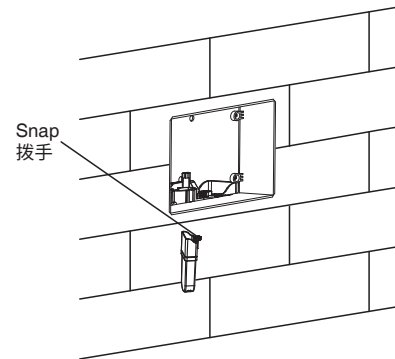
5. Unscrew the metal weaved hose nut and push the quick release connector as shown to take out the inlet valve.

5. 如图拧下金属编织软管螺母，按箭头方向推动进水阀快拆接头，取出进水阀。



6. Push aside the snap of the toilet detergent box as shown to take the box out.

6. 如图拨动洁厕剂盒的拨手，取出洁厕剂盒。

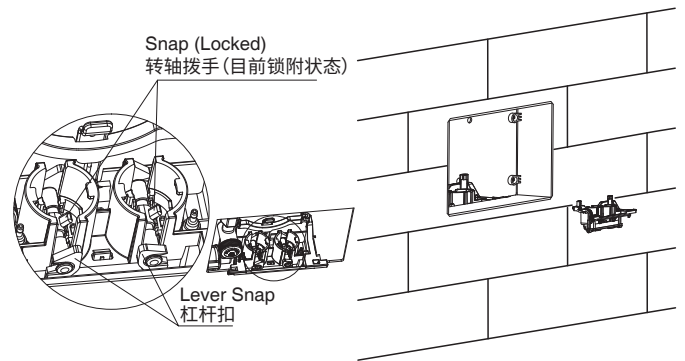


7. Push aside the pivot snaps of the full-flush and half-flush towards upper right to separate the lever and pivot. Hold the upper end of bracket by hand and then lift up firmly to unlock the bracket.

Note: Push aside the pivot snaps of the full-flush and half-flush towards lower left to fixate the bracket to the locked state.

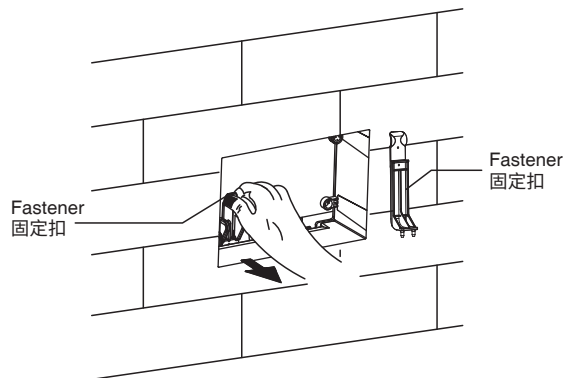
7. 右上方拨开大排和小排的转轴拨手，使杠杆和转轴分离。用手握住支架的上端，然后用力向上提拉把支架的锁紧拨开。

注：支架装回时，左下方拨动大排和小排的转轴拨手至锁紧状态。



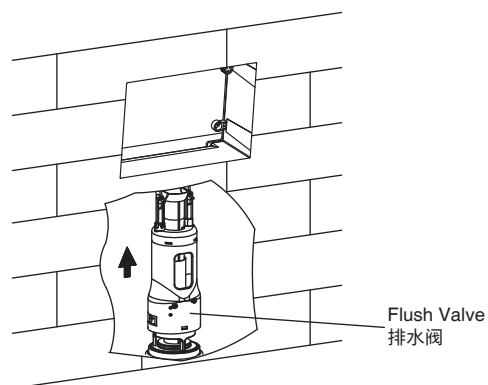
8. Hold the upper end of fastener by hand as shown. Pull in the direction of arrow to take out fastener.

8. 如图用手握住固定扣的上端向箭头方向拨动，然后取出固定扣。



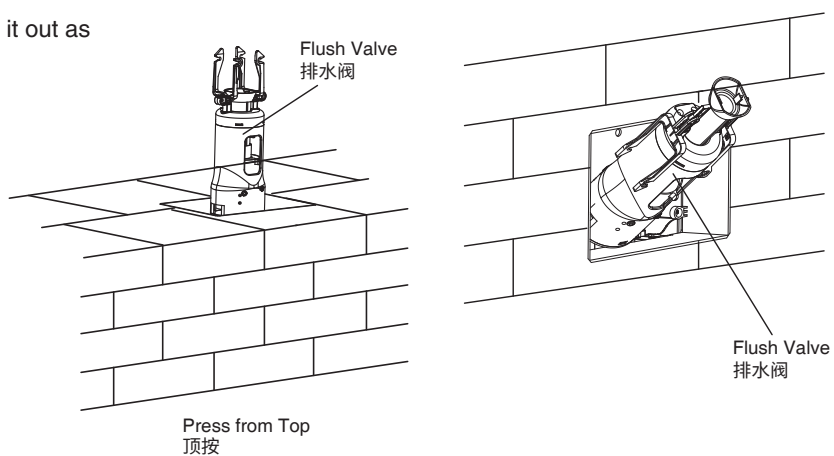
9. Pull in the direction of arrow as shown to take out flush valve.

9. 如图将排水阀向箭头方向拨动，可使排水阀取出。



10. The flush valve is ready for cleaning after taking it out as shown.

10. 如图将排水阀取出后可清洁。



B. Maintenance

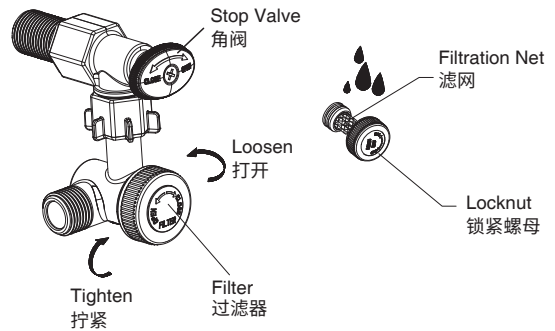
B. 维护

1. Washing the filtration net

Close the stop valve first, then loosen and take out the locknut, and rinse the waste from the filtration net with clean water, then reset the locknut to its original position.

1. 清洗滤网

首先关闭角阀，如图将过滤器的锁紧螺母旋松取出用清水清洗滤网泥沙，然后将锁紧螺母装回原位锁紧即可。

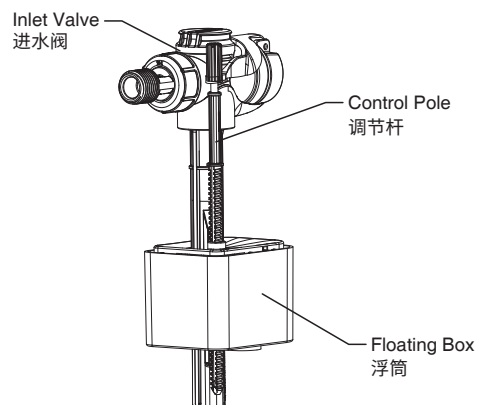


2. Adjusting the inlet valve

Hoist and reduce the water level in the tank by adjusting the control pole. Turn the control pole counterclockwise to lower the floating box and reduce the water level of the tank. Turn the control pole clockwise to raise the floating box and increase the water level in the tank.

2. 进水阀的调校

如图调校调节杆可以使水箱水位升高或降低。当逆时针旋转调节杆时，浮筒下降，水箱水位就低。顺时针旋转调节杆使浮筒上升，水箱水位高。

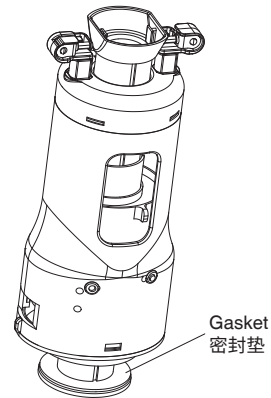


3. Cleaning the flush valve

Clean the waste on the flush valve especially on the gasket with clean water.

3. 排水阀清洁

用清水清洗排水阀尤其是密封垫上的脏污。



TROUBLE SHOOTING PROCEDURES 故障排除

Symptoms	Probable Causes	Recommended Actions
No water fills in via inlet valve	The inlet valve is closed.	Open inlet valve.
	Floating box of inlet valve is blocked by other parts.	Readjust the position of other parts to avoid contacting the floating box when it is functioning.
	Floating box of inlet valve is blocked by waste.	Wash the floating box with clean water.
No drainage when pressing the full-flush and the half-flush button	The air hose and faceplate are wrongly installed.	Reinstall the air hose.
Too high or too low water level	The floating box of the inlet valve is not properly adjusted.	Readjust the water level.
Leak of the toilet and squat	The floating box of the inlet valve is blocked by waste, so the water is leaking from the overflow pipe.	Readjust the position of other parts to avoid contacting the floating box when it is functioning.
	The rubber gasket is blocked by wastes.	Take out the outlet valve and clean the wastes.
Toilet does not flush	A. No water supply. B. The water supply stop valve is closed.	A. Wait for restoration of water supply. B. Open the water supply stop valve.
Toilet does not flush completely	Filter screen is clogged.	Refer to "Washing the filtration net".

现象	原因	排除方法
进水阀不进水	进水角阀没有打开。	把进水角阀打开。
	进水阀的浮筒被其他零件挡住。	调整其他零件切勿与浮筒工作时位置接触。
	进水阀的浮筒被杂物粘住。	用水清洗干净浮筒。
按下大、小排按钮时不排水	导气软管与面板安装错误。	重新安装导气软管。
水位太高或太低	进水阀的浮筒没有调整好。	重新调整水位。
座便器漏水	水箱进水时进水阀的浮筒有杂物挡住,止不住水。水从排水阀溢水管漏水。	调整其他零件切勿与浮筒工作时位置接触。
	封水片有杂物。	取出排水阀清洗封水片的杂物。
座便器不冲水	A. 停水。 B. 供水角阀关闭。	A. 等到恢复供水。 B. 打开供水角阀。
座便器冲不干净	过滤网阻塞。	查看“清洗滤网”部分。